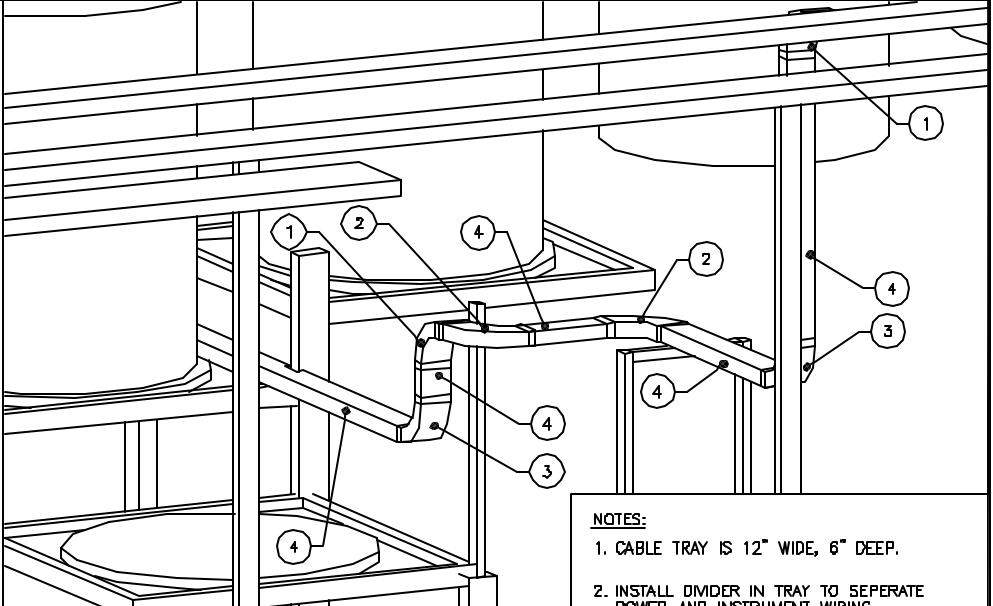
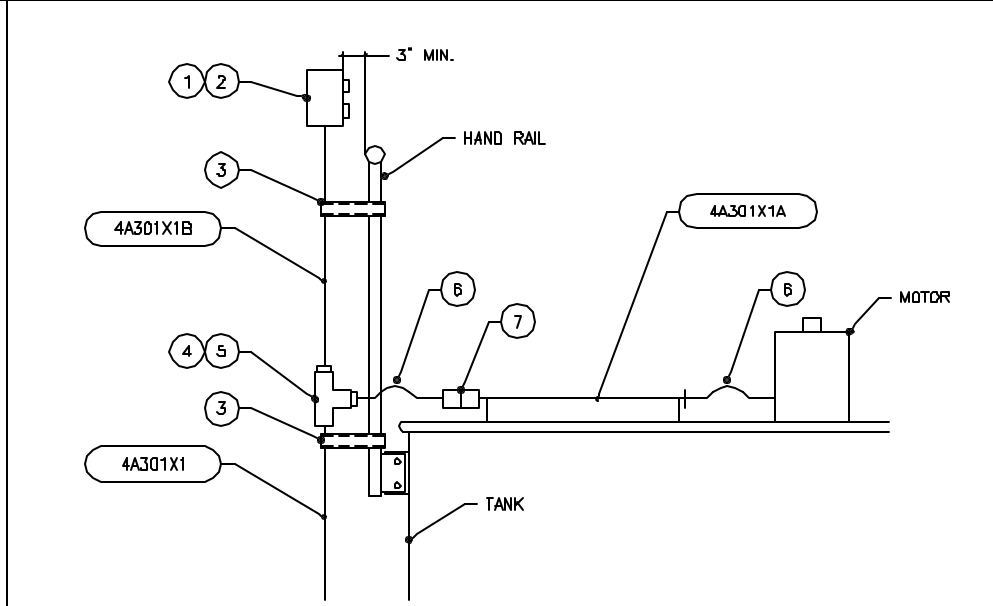
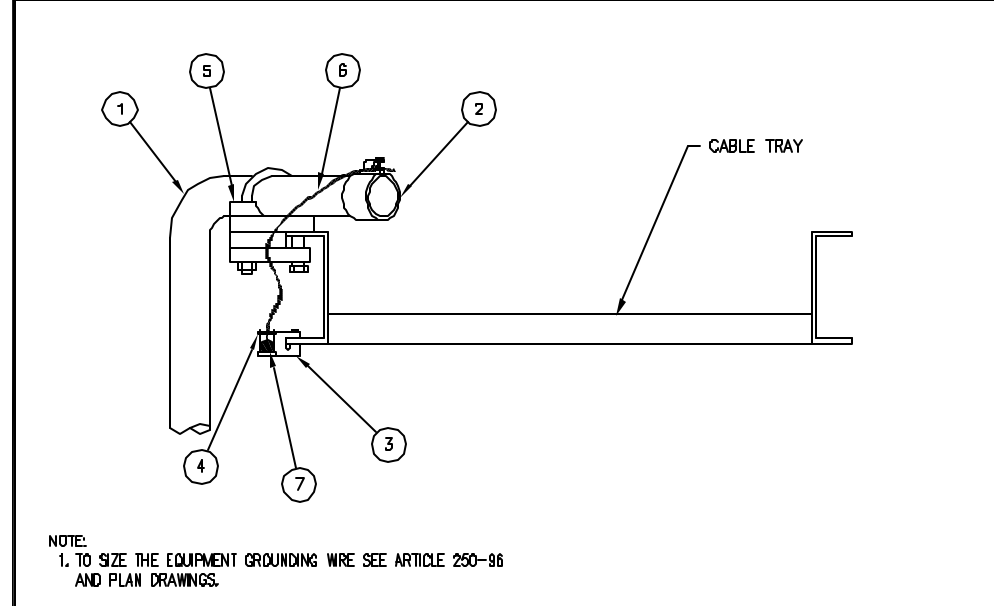


DETAIL SYMBOL CONDUIT TO TRAY (ABOVE TRAY SYSTEM) E-SD-909

DETAIL SYMBOL AGITATOR MOTOR HAND STATION E-SD-910

DETAIL SYMBOL CABLE TRAY COMPONENTS E-SD-911

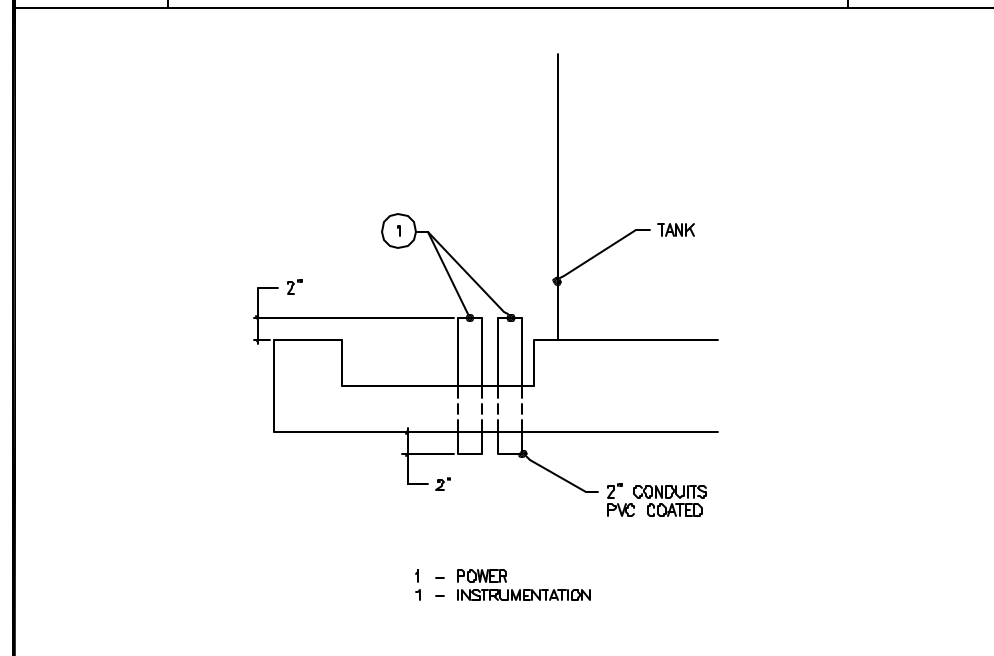


ITEM	QTY	DESCRIPTION	MANUFACTURER	MODEL NO.
1	1	RIGID CONDUIT (SEE CONDUIT & CABLE SCHED. FOR SIZE)		
2	AR	THREADED GROUNDING BUSHING	APPLETON	GIB
3	AR	CABLE TRAY GROUND CONDUCTOR CLAMP	CROUSE-HINDS	T&C
4	AR	SPLIT BOLT SERVIT	BURNDY	KS
5	AR	CABLE TRAY CONDUIT CLAMP	CROUSE-HINDS	LCC
6	AR	BARE COPPER STRANDED GROUND WIRE, #4 AWG		
7	AR	BARE COPPER STRANDED EQUIPMENT GROUND WIRE, #4 AWG		

ITEM	QTY	DESCRIPTION	MANUFACTURER	MODEL NO.
1	1	START/STOP FIBERGLASS NEMA 4X HAND STATION	ALLEN BRADLEY	ABB0DH2HAR4RL
2	2	START, STOP NAMEPLATE	ALLEN BRADLEY	AB800H-W126, W371
3	AR	UNISTRUT		
4	1	1" RGS PVC COATED TEE		
5	2	1" TO 3/4" REDUCING BUSHING		
6	AR	3/4" PVC COATED FLEX CONDUIT		
7	1	3/4" UNION		

ITEM	QTY	DESCRIPTION	MANUFACTURER	MODEL NO.
1	2	12" 90° VERTICAL OUTSIDE WITH 12" RADIUS	B-LINE	378P-12-90V012
2	2	12" 90° HORIZONTAL BEND WITH 12" RADIUS	B-LINE	378P-12-90HB12
3	2	12" 90° VERTICAL INSIDE WITH 12" RADIUS	B-LINE	378P-12-90VI12
4	40'	12" HORIZONTAL TRAY	B-LINE	378P-12
5

DETAIL SYMBOL TANK CONTAINMENT AREA PENETRATIONS E-SD-912



ITEM	QTY	DESCRIPTION	MANUFACTURER	MODEL NO.
1	2	2" PVC COATED CONDUITS		
2				
3				
4				
5				

ITEM	QTY	DESCRIPTION	MANUFACTURER	MODEL NO.
1
2
3
4
5

ITEM	QTY	DESCRIPTION	MANUFACTURER	MODEL NO.
1
2
3
4
5

		D.A. FUJIMANI D. FUJIMANI I.R. BOYER	21AUG02 21AUG02 21AUG02	Pioneer Americas LLC Henderson Nevada	CAUSTIC PLANT CAUSTIC COOLER SYSTEM DETAILS
0 13 DEC 2002 ISSUED FOR CONSTRUCTION DAF		0 13 DEC 2002 ISSUED FOR CONSTRUCTION DAF		NONE CAUSTIC 0 CPE633	DATA BASE# FILE# RICHARD HANSEN JCS 6/13/2002 9:51 AM CP00633.dwg