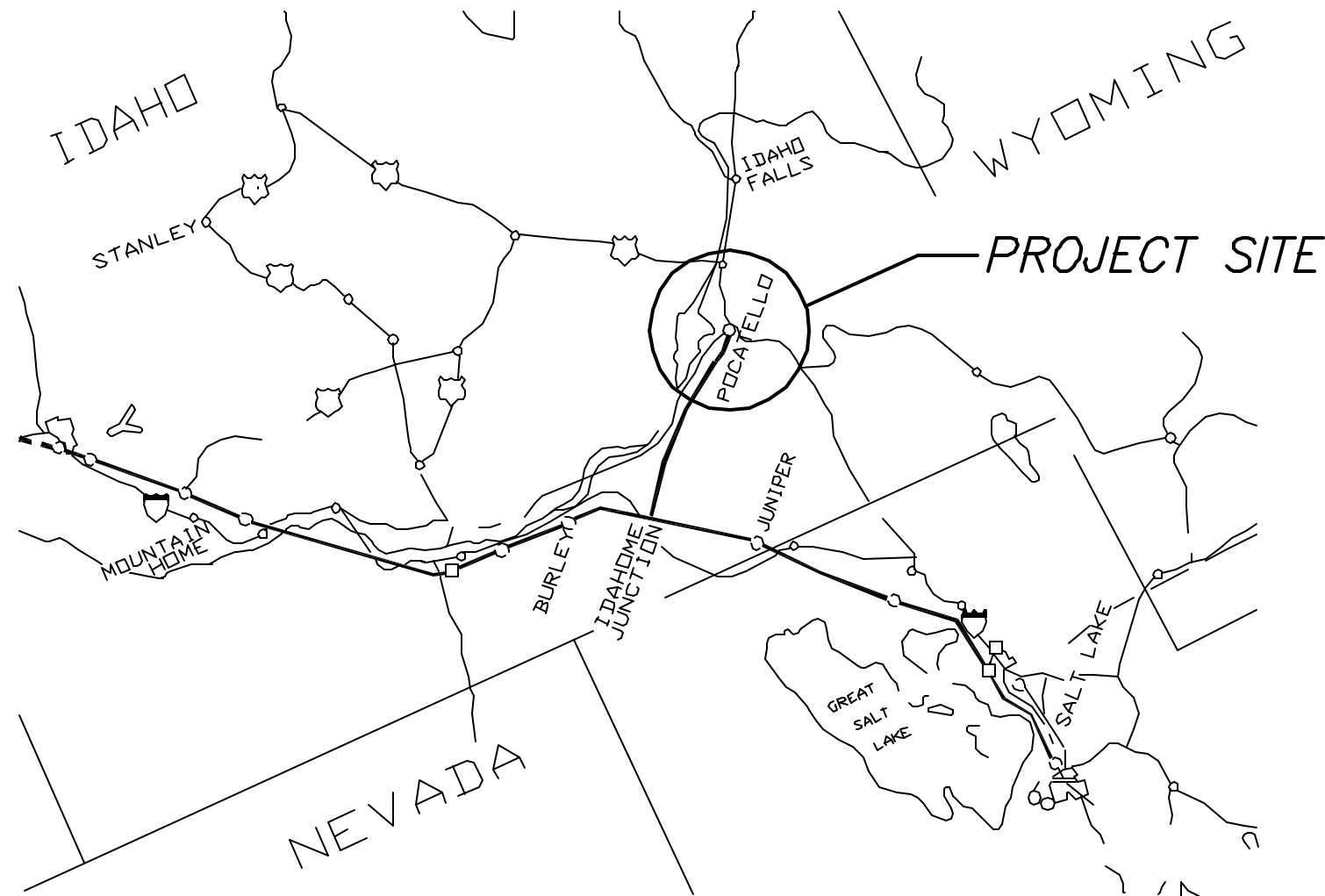




TERMINAL SYSTEM UPGRADE PROJECT - POCATELLO

CHEVRON PIPE LINE COMPANY
651 SOUTH REDWOOD ROAD
NORTH SALT LAKE, UTAH 84054-2924



GENERAL AREA PLAN

CHEVRON PIPELINE - DATA TERMINAL MANAGEMENT SYSTEM UPGRADE		
DRAWING NUMBER	DESCRIPTION, 1ST LINE	DESCRIPTION, 2ND LINE
IDF038-A-01034	DRAWING INDEX	COVER SHEET
IDF038-P-01035	BLOCK DIAGRAM	COMMUNICATION BLOCK DIAGRAM
IDF038-P-01036	ELECTRIC PLAN	COMMUNICATION PLAN
IDF038-P-01037	SCHEDULE	CONDUIT CABLE SCHEDULE
IDF038-P-01038	WIRING DIAGRAM	AC WIRING DIAGRAMS
IDF038-J-01039	INTERCONNECTION WIRING DIAGRAM	COMMUNICATION CONNECTION DIAGRAM SHT 1
IDF038-J-01040	INTERCONNECTION WIRING DIAGRAM	COMMUNICATION CONNECTION DIAGRAM SHT 2
IDF038-J-01041	INTERCONNECTION WIRING DIAGRAM	COMMUNICATION CONNECTION DIAGRAM SHT 3
IDF038-J-01042	INTERCONNECTION WIRING DIAGRAM	TYPICAL ACCULOAD WIRING DIAGRAM
IDF038-J-01045	INTERCONNECTION WIRING DIAGRAM	TYPICAL BLENDPAK WIRING DIAGRAM
IDF038-J-01049	INTERCONNECTION WIRING DIAGRAM	COMMUNICATION ADDRESSES
IDF038-J-01050	CABINET LAYOUT	DOGHOUSE 1 MC CABINET LAYOUT
IDF038-J-01051	CABINET LAYOUT	PHONE ROOM CABINET LAYOUT IC2
IDF038-J-01052	CABINET LAYOUT	MCC BUILDING CABINET LAYOUT IC1
IDF038-J-01053	CABINET LAYOUT	PBS CABINET LAYOUT IC3
IDF038-J-01054	CABINET LAYOUT	HMI ENCLOSURE LAYOUT DOGHOUSE 1, 2 & 3
IDF038-J-01055	CABINET LAYOUT	HMI ENCLOSURE BACKPANEL LAYOUT DOGHOUSE 1, 2 & 3
IDF038-P-00791	PANEL SCHEDULE	POCATELLO PUMP STATION
IDF038-A-00794	AREA CLASSIFICATION PLAN	POCATELLO TERMINAL
IDF038-A-00795	AREA CLASSIFICATION PLAN	TRUCK RACK

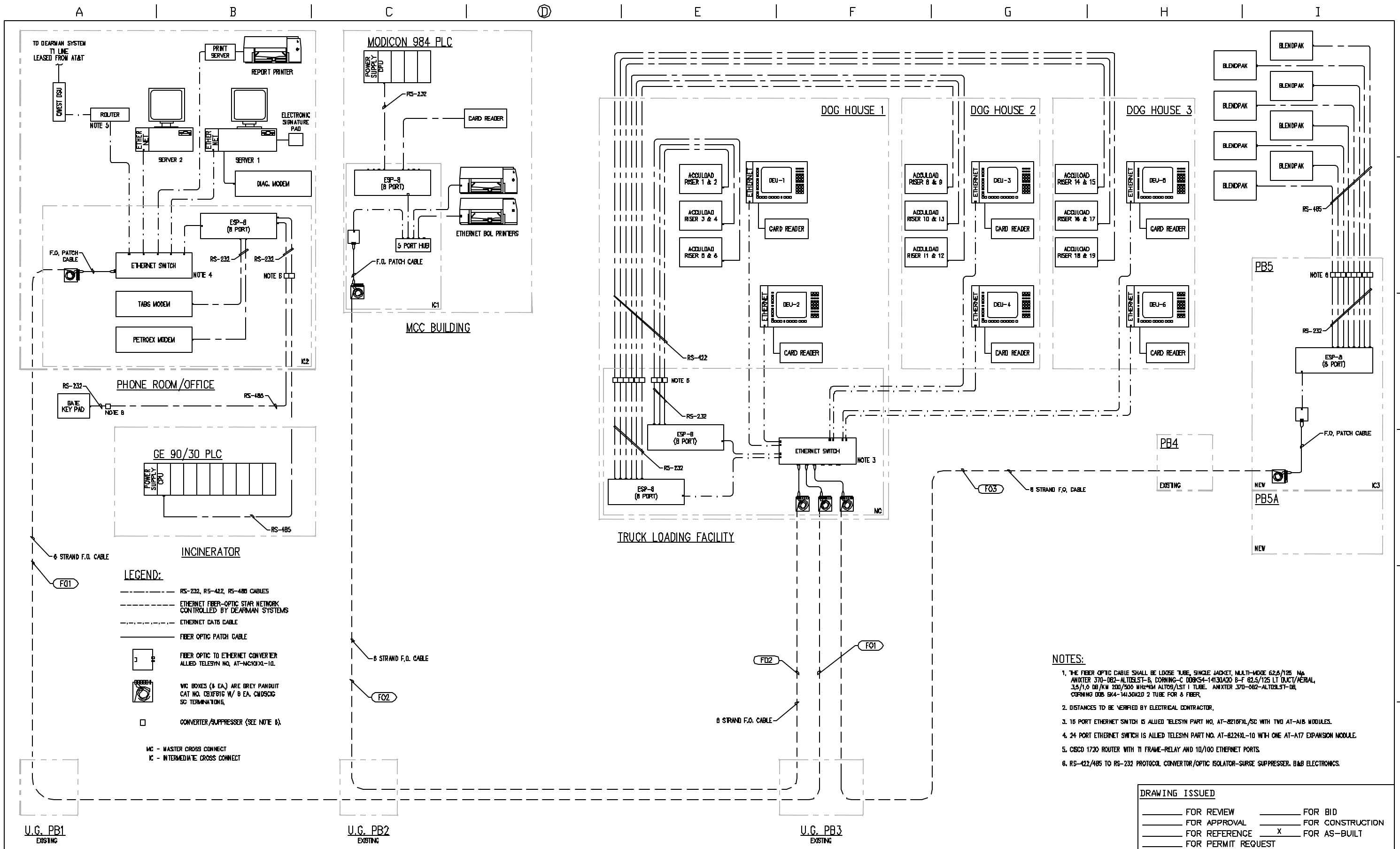
DRAWING ISSUED	
_____ FOR REVIEW	_____ FOR BID
_____ FOR APPROVAL	_____ FOR CONSTRUCTION
_____ FOR REFERENCE	<u> X </u> FOR AS-BUILT
_____ FOR PERMIT REQUEST	

REFERENCE DRAWINGS			

REVISIONS			
			AS-BUILT
			ISSUE FOR CONSTRUCTION

JRH	IRB	WHE		DATE <u>01/2002</u> DR. <u>DAE</u> CH. <u>WHE</u> DR. APP. <u> </u> ENGR. <u>WHE</u> DPR. G. DEPT. <u> </u> ENG. DEPT. <u> </u>	APPROVED
GVH	IRB	WHE			6/2002

DRAWING INDEX	
COVER SHEET	
POCATELLO	
TERMINAL MANAGEMENT SYSTEM UPGRADE PROJECT	
CDST CODE	
IDF038 -A-01034	1



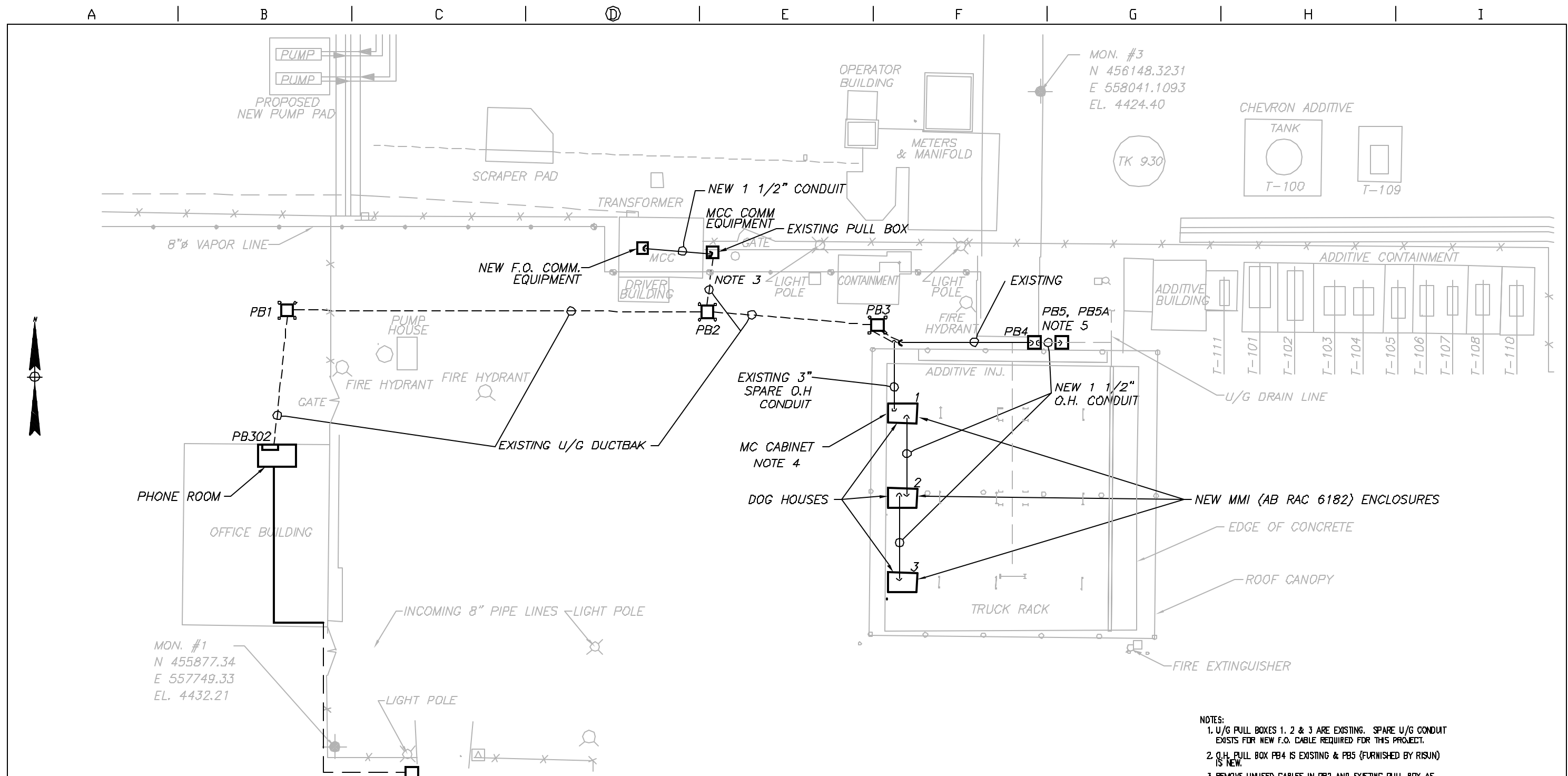
- LEGEND:**
- RS-232, RS-422, RS-485 CABLES
 - ETHERNET FIBER-OPTIC STAR NETWORK CONTROLLED BY DEARMAN SYSTEMS
 - ETHERNET DATA CABLE
 - FIBER OPTIC PATCH CABLE
 - FIBER OPTIC TO ETHERNET CONVERTER ALLIED TELESYN NO. AT-N401X1-10.
 - VIC BOXES (8 EA.) ARE GREY PANDUIT CAT NO. CBXF816 V/ 8 EA. CNDSCG SC TERMINATIONS.
 - CONVERTER/SUPPRESSOR (SEE NOTE 6).
- MC - MASTER CROSS CONNECT
IC - INTERMEDIATE CROSS CONNECT

- NOTES:**
1. THE FIBER OPTIC CABLE SHALL BE LOOSE TUBE, SINGLE JACKET, MULTI-MODE 62.5/125 NA ANIXTER 370-062-ALTOISLT-6, CORNING-C D08K54-14130A20 B-F 62.5/125 LT DUCT/AERIAL, 3.5/1.0 DB/KM 200/500 MHz/KM ALTOIS/ST 1 TUBE. ANIXTER 370-062-ALTOISLT-06, CORNING D08 BK4-14130A20 2 TUBE FOR 8 FIBER.
 2. DISTANCES TO BE VERIFIED BY ELECTRICAL CONTRACTOR.
 3. 16 PORT ETHERNET SWITCH IS ALLIED TELESYN PART NO. AT-8216XL/SC WITH TWO AT-A15 MODULES.
 4. 24 PORT ETHERNET SWITCH IS ALLIED TELESYN PART NO. AT-8224XL-10 WITH ONE AT-A17 EXPANSION MODULE.
 5. CSCD 1720 ROUTER WITH T1 FRAME-RELAY AND 10/100 ETHERNET PORTS.
 6. RS-422/485 TO RS-232 PROTOCOL CONVERTER/OPTIC ISOLATOR-SURGE SUPPRESSOR. B&B ELECTRONICS.

DRAWING ISSUED

_____	FOR REVIEW	_____	FOR BID
_____	FOR APPROVAL	_____	FOR CONSTRUCTION
_____	FOR REFERENCE	X	FOR AS-BUILT
_____	FOR PERMIT REQUEST	_____	_____

REFERENCE DRAWINGS		REVISIONS		Chevron Pipe Line		BLOCK DIAGRAM COMMUNICATION BLOCK DIAGRAM POCATELLO TERMINAL MANAGEMENT SYSTEM UPGRADE PROJECT	
		△	AS-BUILT	JRH	IRB	WHE	10/10/2002
		△	REVISED AS-BUILT	JRH	IRB	WHE	12/2002
		△	ISSUE FOR CONSTRUCTION	GWH	IRB	WHE	6/2002
				DATE 12/2001		APPROVED	
				DR. KSH CH. X DR. APP. ENGR. IRB		COST CODE	
				DPR'G DEPT. ENG. DEPT.		IDF038 -P-01035	
						2	



MON. #1
N 455877.34
E 557749.33
EL. 4432.21

MON. #3
N 456148.3231
E 558041.1093
EL. 4424.40

- NOTES:
1. U/G PULL BOXES 1, 2 & 3 ARE EXISTING. SPARE U/G CONDUIT EXISTS FOR NEW F.O. CABLE REQUIRED FOR THIS PROJECT.
 2. O.H. PULL BOX PB4 IS EXISTING & PB5 (FURNISHED BY RISUN) IS NEW.
 3. REMOVE UNUSED CABLES IN PB2 AND EXISTING PULL BOX AS IDENTIFIED BY CHEVRON.
 4. INSTALL NG HALF 19" RACK TO EXISTING STEEL COLUMNS IN NORTH EAST CORNER OF REAR ROOM. CHEVRON TO APPROVE LOCATION AND ACCESSIBILITY BEFORE INSTALLATION.
 5. INSTALL PB5 TO EXISTING STEEL COLUMN UNDER TRUCK LOADOUT CANOPY. VERIFY LOCATION AND ACCESSIBILITY WITH CHEVRON BEFORE INSTALLATION.
 6. ALL INSTALLATION TO BE IN ACCORDANCE WITH NEC, LATEST REVISION.

DRAWING ISSUED	
_____ FOR REVIEW	_____ FOR BID
_____ FOR APPROVAL	_____ FOR CONSTRUCTION
_____ FOR REFERENCE	X _____ FOR AS-BUILT
_____ FOR PERMIT REQUEST	

REFERENCE DRAWINGS	

REVISIONS	
△	AS-BUILT
△	REVISED AS-BUILT
△	ISSUE FOR CONSTRUCTION

Chevron
Pipe Line

SCALE 1"=20'-0"
DATE 03/2002
DR. WRW CH. JRB DR. APP. _____ ENGR. _____
DPR'G DEPT. _____ ENG. DEPT. _____


ELECTRIC PLAN	
COMMUNICATION PLAN	
POCATELLO, POWER COUNTY	
2000 CORE DRAWING UPGRADE	
COST CODE	IDF038-P-01036
	2

CABLE AND CONDUIT SCHEDULE									
CONDUIT NUMBER	CABLE NUMBER	APPLICATION	VOLT	DESCRIPTION		CONDUIT SIZE	CONDUCTOR		REMARKS
				FROM	TO		NO./SIZE	VOLT/INSULATION	
CP-001-01	F01	FIBER OPTIC COMM.		K2 IN PHONE ROOM/OFFICE	MC IN DOGHOUSE 1	4", 1 1/2"		1 - 6 FIBER	PULL THROUGH EXISTING SPARE CONDUITS IN PHONE ROOM PB, PB1, PB2, PB3 & PB4. INSTALL NEW O.H. CONDUITS NO SMALLER THAN 1 1/2" TO MC. SEE NOTE 4 & 5.
CP-001-02	F02	FIBER OPTIC COMM.		K1 IN MCC BUILDING	MC IN DOGHOUSE 1	4", 1 1/2"		1 - 6 FIBER	NEW 1 1/2" CONDUIT FROM K1 TO MCC ROOM PB, EXISTING 4" CONDUIT FROM MCC ROOM PB TO PB2, EXISTING 4" CONDUIT FROM PB2 TO PB3, EXISTING 4" CONDUIT FROM PB3 TO PB4, EXISTING 3" CONDUIT FROM PB4 TO DOGHOUSE 1. NEW 1 1/2" MINIMUM O.H. CONDUIT FROM DOGHOUSE 1 TO MC. SEE NOTES 4 & 5.
CP-001-03	F03	FIBER OPTIC COMM.		PB5 (IC3)	MC IN DOGHOUSE 1	1 1/2"		1 - 6 FIBER	NEW 1 1/2" CONDUIT MINIMUM FROM PB5 (IC3) TO MC. USE EXISTING 3" CONDUIT FROM PB4 TO DOGHOUSE 1. SEE NOTE 5.
DEMOLITION		ACCULOAD COMM CABLE	300	ACCULOAD CABLES ON DIGBOARDS IN OFFICE PHONE ROOM	COMM. CABLES ON ACCULOADS IN DOGHOUSES 1, 2, & 3				DISCONNECT AND REMOVE THESE CABLES.
CP-001-04	C01	ACCULOAD COMM CABLE	300	MC IN DOGHOUSE 1	ACCULOAD 1A IN DOGHOUSE 1	1 1/2"	2 20 AWG TSP W/PVC JACKET BELDON 9402	300V	CABLE FURNISHED BY RISUN; INSTALL NEW O.H. CONDUIT.
CP-001-05	C02	ACCULOAD COMM CABLE	300	MC IN DOGHOUSE 1	ACCULOAD 1B IN DOGHOUSE 1	1 1/2"	2 20 AWG TSP W/PVC JACKET BELDON 9402	300V	CABLE FURNISHED BY RISUN; INSTALL NEW O.H. CONDUIT.
CP-001-06	C03	ACCULOAD COMM CABLE	300	MC IN DOGHOUSE 1	ACCULOAD 2A IN DOGHOUSE 2	1 1/2"	2 20 AWG TSP W/PVC JACKET BELDON 9402	300V	CABLE FURNISHED BY RISUN; INSTALL NEW O.H. CONDUIT.
CP-001-07	C04	ACCULOAD COMM CABLE	300	MC IN DOGHOUSE 1	ACCULOAD 2B IN DOGHOUSE 2	1 1/2"	2 20 AWG TSP W/PVC JACKET BELDON 9402	300V	CABLE FURNISHED BY RISUN; INSTALL NEW O.H. CONDUIT.
CP-001-08	C05	ACCULOAD COMM CABLE	300	MC IN DOGHOUSE 1	ACCULOAD 3A IN DOGHOUSE 3	1 1/2"	2 20 AWG TSP W/PVC JACKET BELDON 9402	300V	CABLE FURNISHED BY RISUN; INSTALL NEW O.H. CONDUIT.
CP-001-09	C06	ACCULOAD COMM CABLE	300	MC IN DOGHOUSE 1	ACCULOAD 3B IN DOGHOUSE 3	1 1/2"	2 20 AWG TSP W/PVC JACKET BELDON 9402	300V	CABLE FURNISHED BY RISUN; INSTALL NEW O.H. CONDUIT.
DEMOLITION		BLENDEPAK COMM CABLE	300	BLENDEPAK CABLES ON DIGBOARDS IN OFFICE PHONE ROOM	BLENDEPAK UNITS				REMOVE CABLES FROM DIGBOARD TO BLENDEPAK UNITS.
CP-001-10	C07	BLENDEPAK COMM CABLE	300	END BLENDEPAK FOR DAISEY CHAIN NO. 1	PB5	1 1/2"	2 24 AWG TP OVERALL SHIELD W/PVC JACKET BELDON 9502	300V	CABLE FURNISHED BY RISUN; INSTALL NEW O.H. CONDUIT. "DAISEY CHAIN" CABLE FROM BLENDEPAK UNIT TO UNIT.
CP-001-11	C08	BLENDEPAK COMM CABLE	300	END BLENDEPAK FOR DAISEY CHAIN NO. 2	PB5	1 1/2"	2 24 AWG TP OVERALL SHIELD W/PVC JACKET BELDON 9502	300V	CABLE FURNISHED BY RISUN; INSTALL NEW O.H. CONDUIT. "DAISEY CHAIN" CABLE FROM BLENDEPAK UNIT TO UNIT.
CP-001-12	C09	BLENDEPAK COMM CABLE	300	END BLENDEPAK FOR DAISEY CHAIN NO. 3	PB5	1 1/2"	2 24 AWG TP OVERALL SHIELD W/PVC JACKET BELDON 9502	300V	CABLE FURNISHED BY RISUN; INSTALL NEW O.H. CONDUIT. "DAISEY CHAIN" CABLE FROM BLENDEPAK UNIT TO UNIT.
CP-001-13	C10	BLENDEPAK COMM CABLE	300	END BLENDEPAK FOR DAISEY CHAIN NO. 4	PB5	1 1/2"	2 24 AWG TP OVERALL SHIELD W/PVC JACKET BELDON 9502	300V	CABLE FURNISHED BY RISUN; INSTALL NEW O.H. CONDUIT. "DAISEY CHAIN" CABLE FROM BLENDEPAK UNIT TO UNIT.
CP-001-14	C11	BLENDEPAK COMM CABLE	300	END BLENDEPAK FOR DAISEY CHAIN NO. 5	PB5	1 1/2"	2 24 AWG TP OVERALL SHIELD W/PVC JACKET BELDON 9502	300V	CABLE FURNISHED BY RISUN; INSTALL NEW O.H. CONDUIT. "DAISEY CHAIN" CABLE FROM BLENDEPAK UNIT TO UNIT.
CP-001-15	C12	BLENDEPAK COMM CABLE	300	END BLENDEPAK FOR DAISEY CHAIN NO. 6	PB5	1 1/2"	2 24 AWG TP OVERALL SHIELD W/PVC JACKET BELDON 9502	300V	CABLE FURNISHED BY RISUN; INSTALL NEW O.H. CONDUIT. "DAISEY CHAIN" CABLE FROM BLENDEPAK UNIT TO UNIT.
CP-001-16	C13	BLENDEPAK COMM CABLE	300	END BLENDEPAK FOR DAISEY CHAIN NO. 7	PB5	1 1/2"	2 24 AWG TP OVERALL SHIELD W/PVC JACKET BELDON 9502	300V	CABLE FURNISHED BY RISUN; INSTALL NEW O.H. CONDUIT. "DAISEY CHAIN" CABLE FROM BLENDEPAK UNIT TO UNIT.
CP-001-17	C14	BLENDEPAK COMM CABLE	300	END BLENDEPAK FOR DAISEY CHAIN NO. 8	PB5	1 1/2"	2 24 AWG TP OVERALL SHIELD W/PVC JACKET BELDON 9502	300V	CABLE FURNISHED BY RISUN; INSTALL NEW O.H. CONDUIT. "DAISEY CHAIN" CABLE FROM BLENDEPAK UNIT TO UNIT.
CP-001-18	C15, C16	HM (AB) COMM CABLE	300	PC-1A, 1B IN MMI ENCLOSURE IN DOGHOUSE 1.	MC1 IN DOGHOUSE 1	1 1/2"	2 EA UTP CAT5E CABLES BELDON 1583A NONPLENUM	300V	CABLE FURNISHED BY RISUN; INSTALL NEW O.H. CONDUIT.
CP-001-19	C17, C18	HM (AB) COMM CABLE	300	PC-2A, 2B IN MMI ENCLOSURE IN DOGHOUSE 2.	MC1 IN DOGHOUSE 2	1 1/2"	2 EA UTP CAT5E CABLES BELDON 1583A NONPLENUM	300V	CABLE FURNISHED BY RISUN; INSTALL NEW O.H. CONDUIT.
CP-001-20	C19, C20	HM (AB) COMM CABLE	300	PC-3A, 3B IN MMI ENCLOSURE IN DOGHOUSE 3.	MC1 IN DOGHOUSE 3	1 1/2"	2 EA UTP CAT5E CABLES BELDON 1583A NONPLENUM	300V	CABLE FURNISHED BY RISUN; INSTALL NEW O.H. CONDUIT.
DEMOLITION		EXISTING GATE CARD RDR	300	EXISTING EQUIPMENT IN PHONE ROOM	GATE CARD READER			300V	REMOVE EXISTING CABLES
CP-001-21	C21	CARD RDR COMM CABLE	300	K2 IN PHONE ROOM	CARD READER AT GATE	EXISTING	22 AWG 5 COND, SHIELDED W/ PVC JACKET ALPHA 1295C	300V	CABLE FURNISHED BY RISUN INSTALL IN EXISTING CONDUIT.
CP-001-22	C22	INTERNET CONNECTION	300	K2 IN PHONE ROOM	DEARMAN INTERNET CONNECTION	AS REQ'D	1 EA UTP CAT5E CABLES BELDON 1583A NONPLENUM	300V	FIELD ROUTE OVERHEAD
CP-001-23	C23	COMPUTER A	300	K2 IN PHONE ROOM	ETHERNET CONNECTION	AS REQ'D	1 EA UTP CAT5E CABLES BELDON 1583A NONPLENUM	300V	FIELD ROUTE OVERHEAD
CP-001-24	C24	COMPUTER B	300	K2 IN PHONE ROOM	ETHERNET CONNECTION	AS REQ'D	1 EA UTP CAT5E CABLES BELDON 1583A NONPLENUM	300V	FIELD ROUTE OVERHEAD
CP-001-25	C25	NNI POWER	600	MC1 IN DOGHOUSE 1	NNI CABINET IN DOGHOUSE 1	AS REQ'D	3-#12 CU 75°C	600V	FIELD ROUTE OVERHEAD
CP-001-26	C26	NNI POWER	600	MC1 IN DOGHOUSE 1	NNI CABINET IN DOGHOUSE 2	AS REQ'D	3-#12 CU 75°C	600V	FIELD ROUTE OVERHEAD
CP-001-27	C27	NNI POWER	600	MC1 IN DOGHOUSE 1	NNI CABINET IN DOGHOUSE 3	AS REQ'D	3-#12 CU 75°C	600V	FIELD ROUTE OVERHEAD

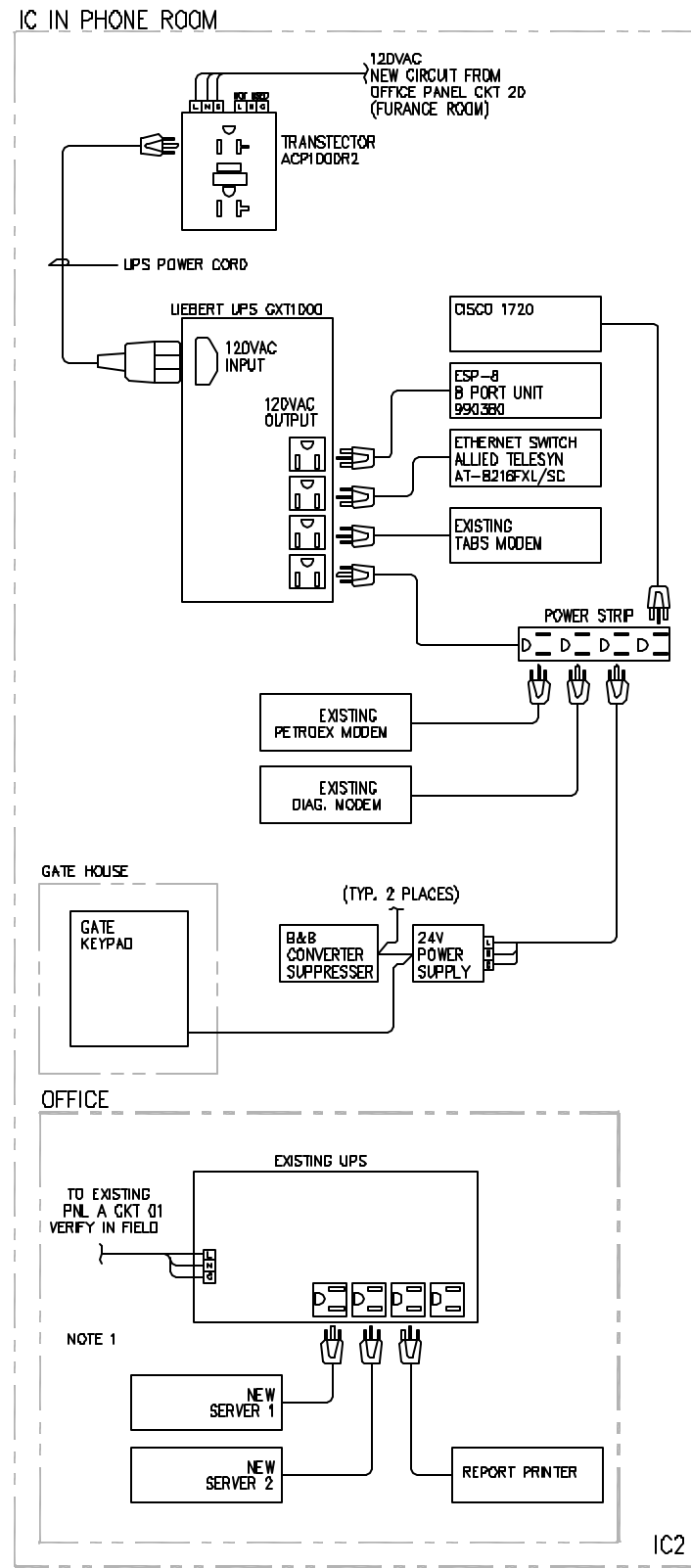
- NOTES:
- ALL NEW CONDUIT TO BE RIGID GALVANIZED STEEL (RGS).
 - ALL INSTALLATION TO BE IN ACCORDANCE WITH NEC, LATEST REVISION.
 - ALL FIBER OPTIC CABLE TO BE INSTALLED IN 1 1/2" CONDUIT OR GREATER TO KEEP WITHIN FIBEROPTIC CABLE BEND RADII.
 - CONTRACTOR TO REMOVE UNUSED CABLES, IDENTIFIED BY CHEVRON, FROM MCC ROOM PULL BOX TO U/G PB2 BEFORE INSTALLING NEW FIBER CABLE.
 - COIL 5FT OF FIBER CABLE AT TERMINATION POINT.

DRAWING ISSUED

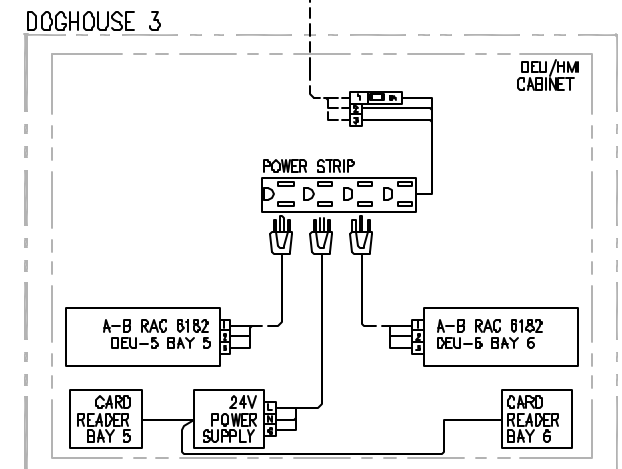
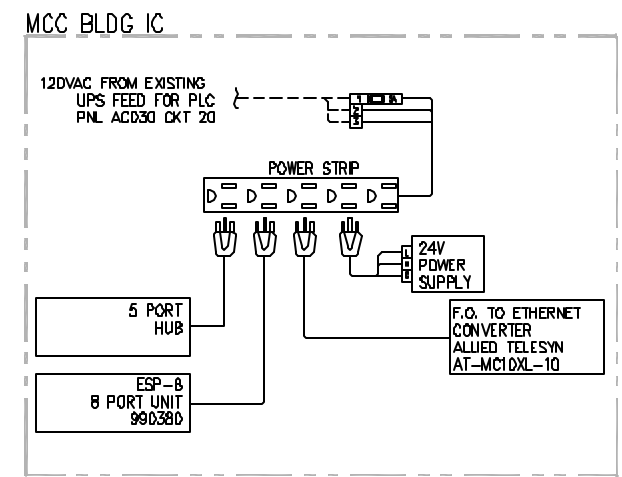
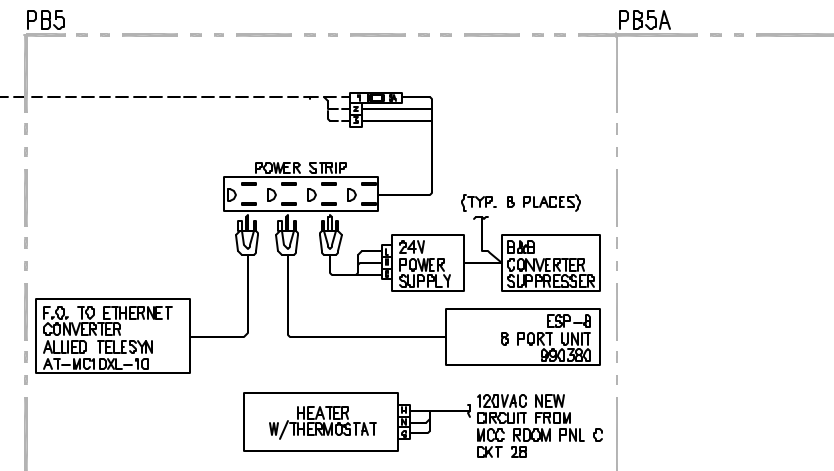
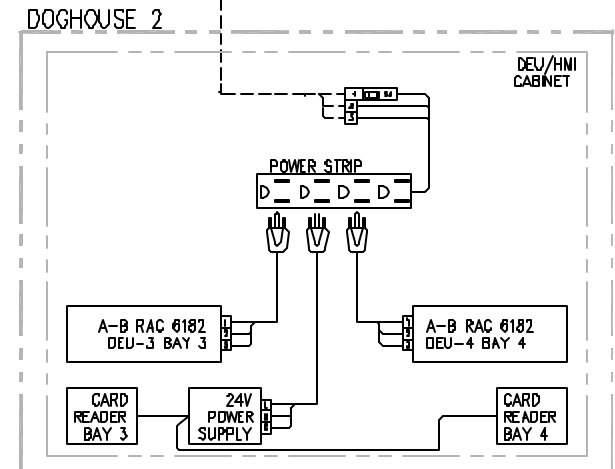
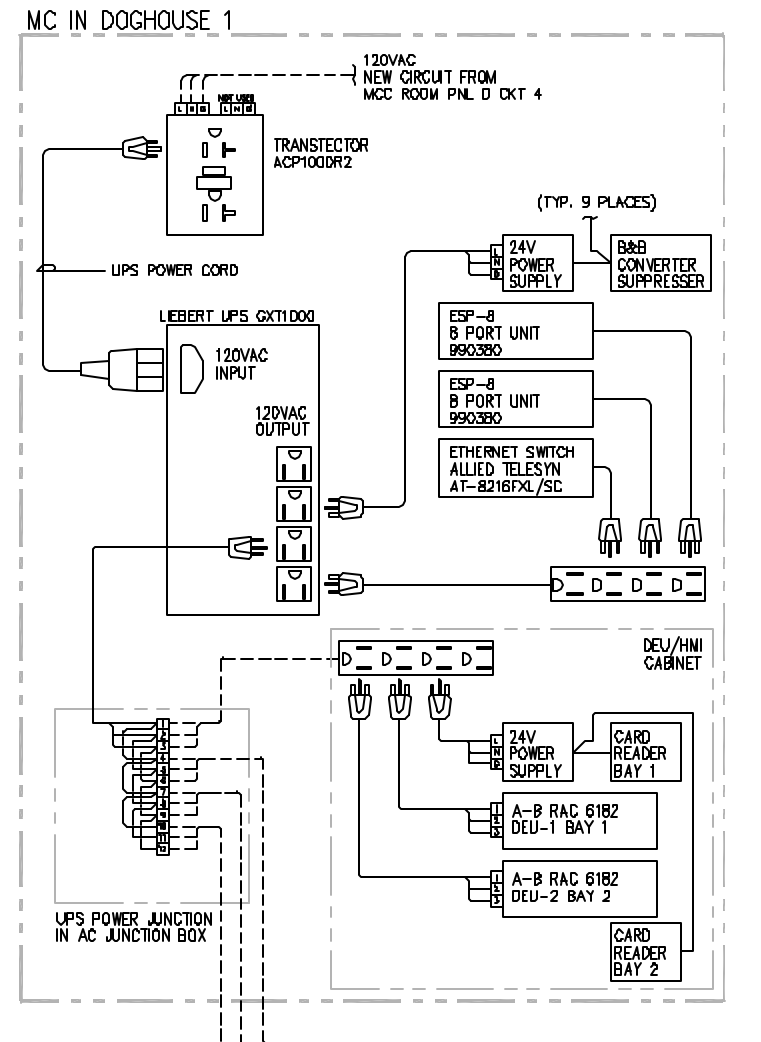
_____ FOR REVIEW _____ FOR BID
 _____ FOR APPROVAL _____ FOR CONSTRUCTION
 _____ FOR REFERENCE _____ X FOR AS-BUILT
 _____ FOR PERMIT REQUEST

REFERENCE DRAWINGS		REVISIONS				SCHEDULE CONDUIT CABLE SCHEDULE POCATELLO TERMINAL MANAGEMENT SYSTEM UPGRADE PROJECT	
	△		AS-BUILT	JRH	IRB	WHE	
				10/10/2002			
	△		ISSUE FOR CONSTRUCTION	GWH	IRB	WHE	
				6/2002			
				SCALE NONE DATE 06/17/02 APPROVED _____ DR. DAF CH. WHE DR. APP. _____ ENGR. IRB DPR'G DEPT. _____ ENG. DEPT. _____		COST CODE IDF038-J-01037	

1
2
3
4
5
6



IC2

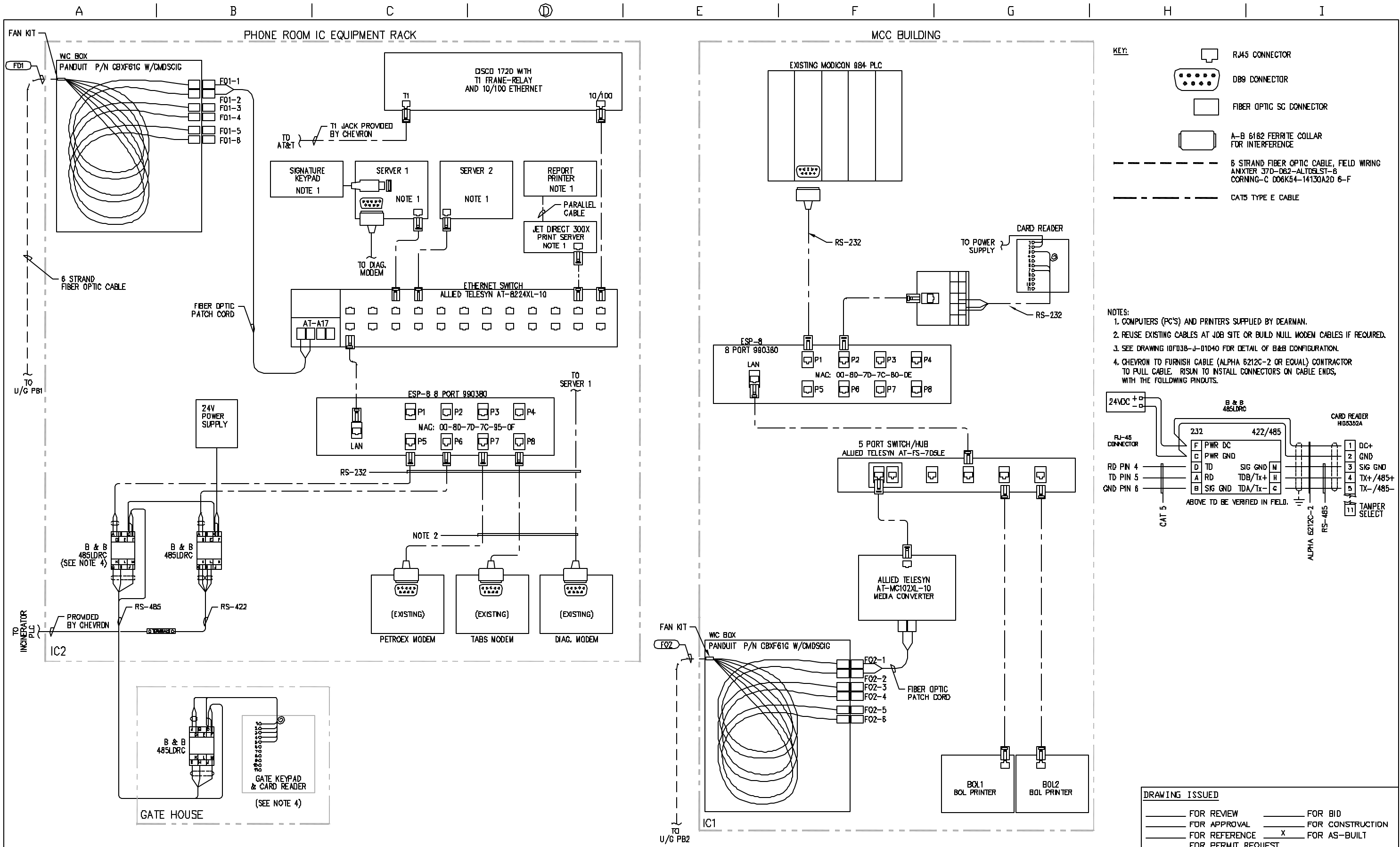


KEY:
 _____ RACK OR PLC
 - - - - - FIELD WIRING 3#12 CU THHN

NOTE:
 1. NEW SERVER 1 & 2 TO BE POWERED FROM SAME SOURCE AS EXISTING COMPUTERS "A" & "B".

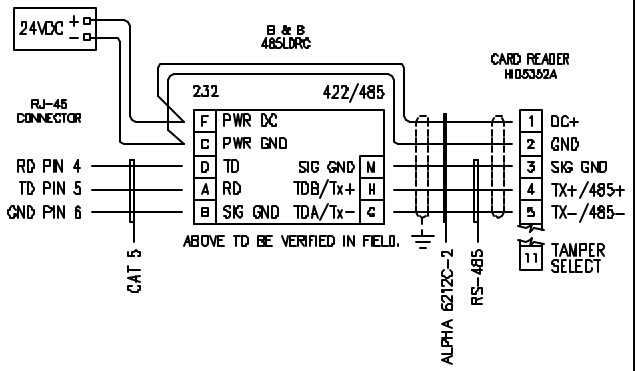
DRAWING ISSUED	
_____ FOR REVIEW	_____ FOR BID
_____ FOR APPROVAL	_____ FOR CONSTRUCTION
_____ FOR REFERENCE	X _____ FOR AS-BUILT
_____ FOR PERMIT REQUEST	

REFERENCE DRAWINGS		REVISIONS		Chevron Pipe Line		WIRING DIAGRAM AC WIRING DIAGRAM POCATELLO TERMINAL MANAGEMENT SYSTEM UPGRADE PROJECT	
		△	AS-BUILT	JRH	IRB	MHE	10/10/2002
		△	REVISED AS-BUILT	JRH	IRB	MHE	6/2002
		△	ISSUE FOR CONSTRUCTION	JRH	IRB	MHE	12/2002
				SCALE 6'-1"=0'		DATE 04/16/02	
				DR. JAE CH. MHE JR. APP. _____		APPROVED _____	
				DPR' G DEPT. _____		ENG. DEPT. _____	
						COST CODE	IDF038-P-01038
							2



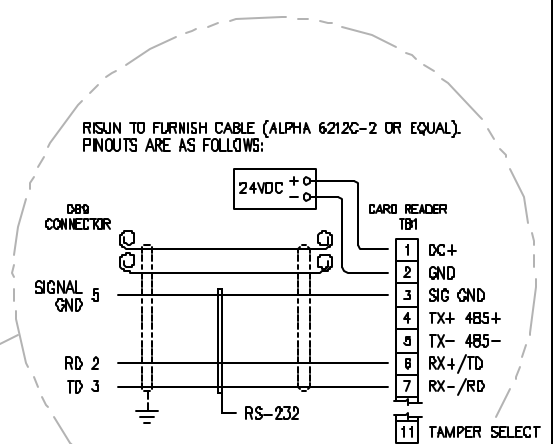
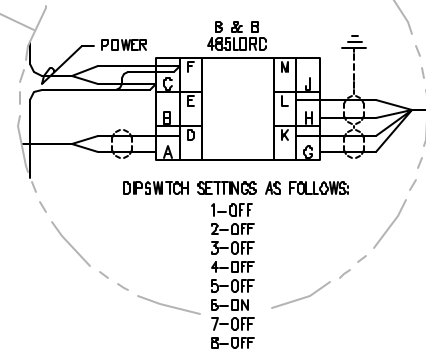
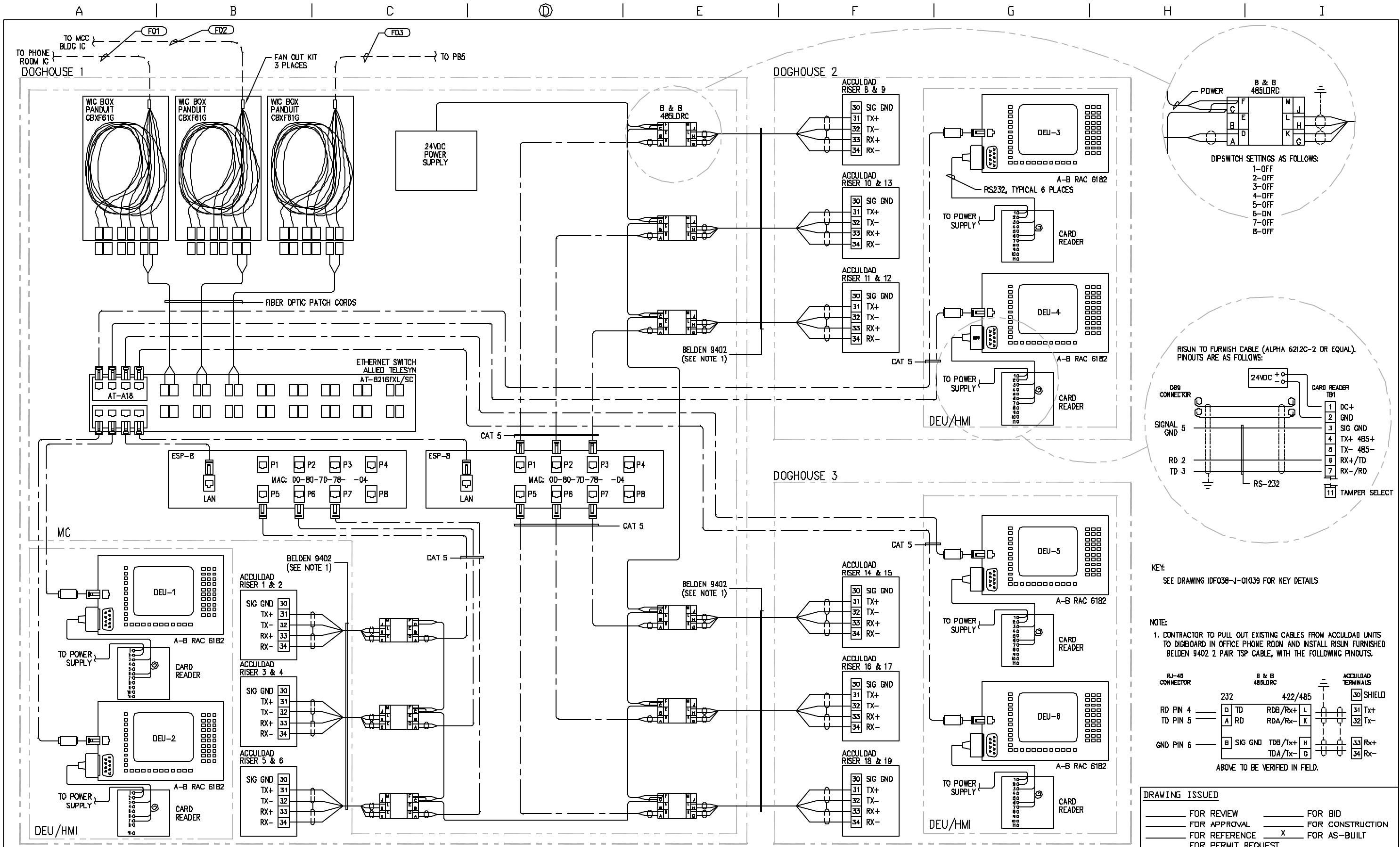
- KEY:**
- RJ45 CONNECTOR
 - DB9 CONNECTOR
 - FIBER OPTIC SC CONNECTOR
 - A-B 6182 FERRITE COLLAR FOR INTERFERENCE
 - 6 STRAND FIBER OPTIC CABLE, FIELD WIRING ANXTER J37D-D62-ALDDELST-6 CORNING-C D06K54-14130A2D 6-F
 - CAT5 TYPE E CABLE

- NOTES:**
1. COMPUTERS (PC'S) AND PRINTERS SUPPLIED BY DEARMAN.
 2. REUSE EXISTING CABLES AT JOB SITE OR BUILD NULL MODEN CABLES IF REQUIRED.
 3. SEE DRAWING IDF038-J-01040 FOR DETAIL OF B&B CONFIGURATION.
 4. CHEVRON TO FURNISH CABLE (ALPHA 6212C-2 OR EQUAL) CONTRACTOR TO PULL CABLE. RISUN TO INSTALL CONNECTORS ON CABLE ENDS, WITH THE FOLLOWING PINDOUTS.



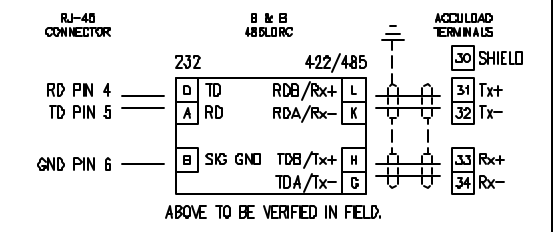
DRAWING ISSUED	
_____ FOR REVIEW	_____ FOR BID
_____ FOR APPROVAL	_____ FOR CONSTRUCTION
_____ FOR REFERENCE	X _____ FOR AS-BUILT
_____ FOR PERMIT REQUEST	

REFERENCE DRAWINGS		REVISIONS		Chevron Pipe Line		INTERCONNECTION WIRING DIAGRAM COMMUNICATION CONNECTION DIAGRAM, SHEET 1 POCATELLO TERMINAL MANAGEMENT SYSTEM UPGRADE PROJECT	
		AS-BUILT	JRH	IRB	WHE	SCALE NONE	DATE 04/16/02
		REVISED AS-BUILT				DR. JAE CH. WHE DR. APP. ENGR. VHE	APPROVED
						6/2002	COST CODE
							IDF038-J-01039
							2



KEY:
SEE DRAWING IDF038-J-01039 FOR KEY DETAILS

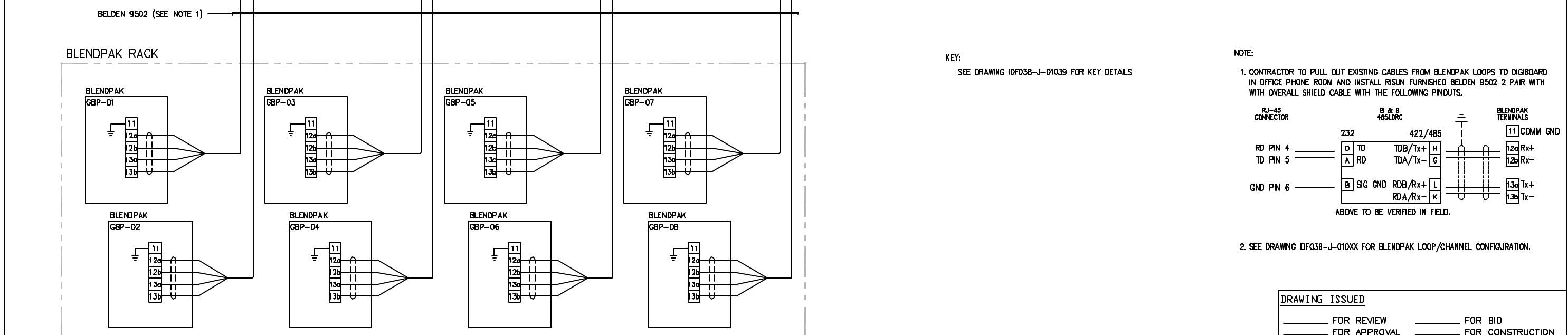
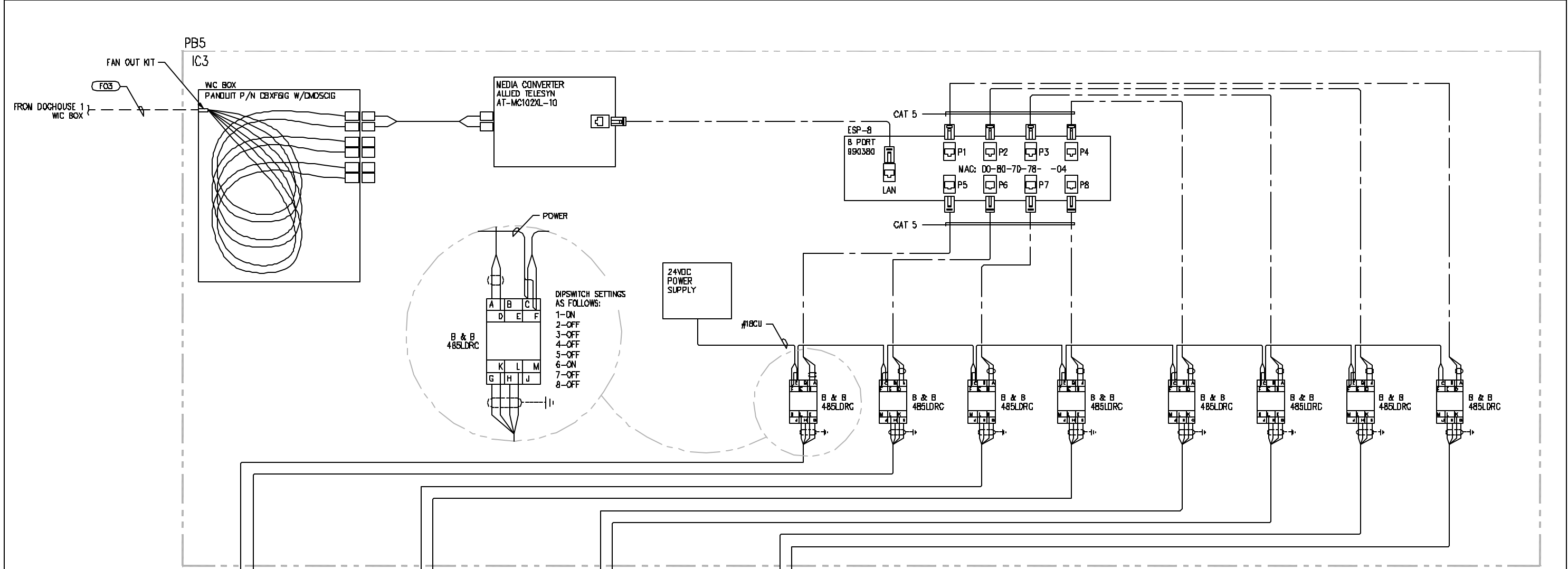
NOTE:
1. CONTRACTOR TO PULL OUT EXISTING CABLES FROM ACCULOAD UNITS TO DIGIBOARD IN OFFICE PHONE ROOM AND INSTALL RISUN FURNISHED BELDEN 9402 2 PAIR TSP CABLE, WITH THE FOLLOWING PINOUTS.



DRAWING ISSUED

_____ FOR REVIEW	_____ FOR BID
_____ FOR APPROVAL	_____ FOR CONSTRUCTION
_____ FOR REFERENCE	X _____ FOR AS-BUILT
_____ FOR PERMIT REQUEST	

REFERENCE DRAWINGS		REVISIONS		Chevron Pipe Line		INTERCONNECTION WIRING DIAGRAM COMMUNICATION CONNECTION DIAGRAM, SHEET 2 POCATELLO TERMINAL MANAGEMENT SYSTEM UPGRADE PROJECT	
		AS-BUILT	JRH	IRB	WHE	DATE 04/16/02	APPROVED
		ISSUE FOR CONSTRUCTION	GW	IRB	WHE	DR. JAE CH. WHE JR. APP. ENGR. WHE	COST CODE
					6/2002	DPR' G DEPT. _____ ENG. DEPT. _____	IDF038-J-01040



REFERENCE DRAWINGS	REVISIONS	DATE	BY	CHKD	APP'D	DATE	BY	CHKD	APP'D
	AS-BUILT	10/10/2002	JRH	IRB	WHE				
	ISSUE FOR CONSTRUCTION	6/2002	GVH	IRB	WHE				

SCALE: NONE
DATE: 04/16/02
DR: JAE CH. WHE DR. APP. VHE
DPR' G DEPT. _____ ENG. DEPT. _____

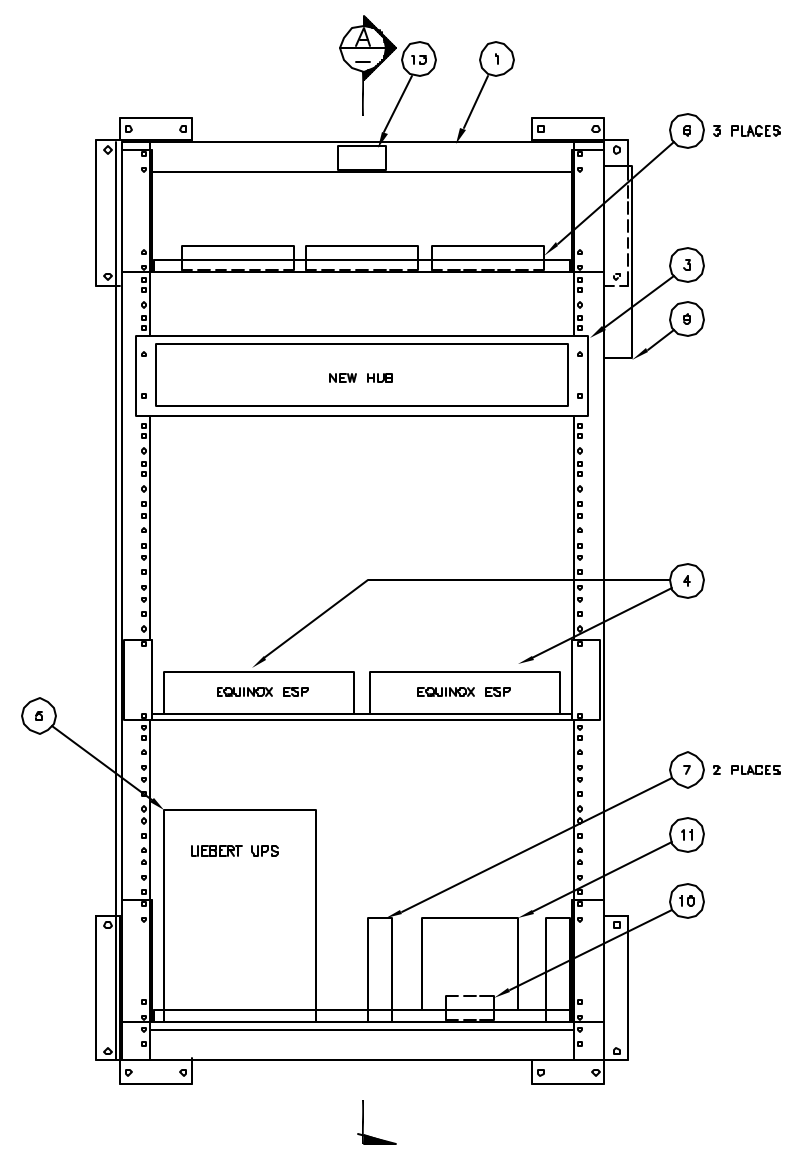
DRAWING ISSUED	
_____ FOR REVIEW	_____ FOR BID
_____ FOR APPROVAL	_____ FOR CONSTRUCTION
_____ FOR REFERENCE	X _____ FOR AS-BUILT
_____ FOR PERMIT REQUEST	

INTERCONNECTION WIRING DIAGRAM	
COMMUNICATION CONNECTION DIAGRAM, SHEET 3	
POCATELLO	
TERMINAL MANAGEMENT SYSTEM UPGRADE PROJECT	
COST CODE	IDF038-J-01041
	1

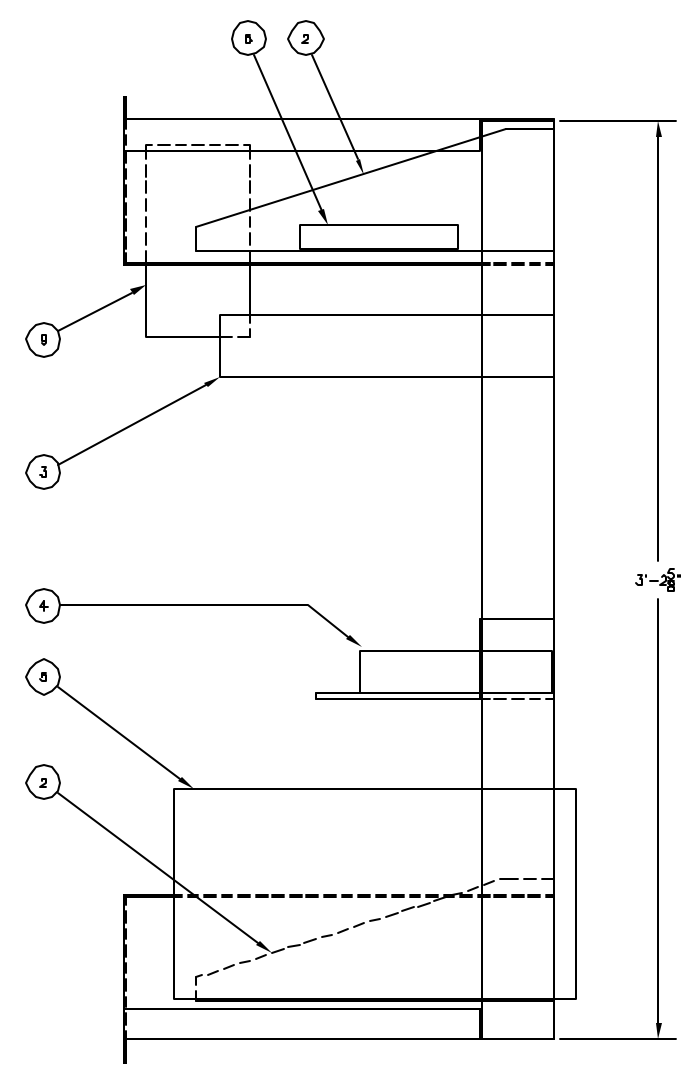
A | B | C | D | E | F | G | H | I

BILL OF MATERIAL

ITEM	QTY	DESCRIPTION	MANUFACTURER	MODEL NO.#
1	1	19" STANDARD RACK, UL LISTED, BLACK, WALL MOUNT	CHATSWORTH	15320-718
2	2	HEAVY DUTY EQUIPMENT SHELF FOR 3" CHANNEL, BLACK	CHATSWORTH	40074-700
3	1	ETHERNET SWITCH N/(2) AT-A/B MODULES	ALLIED TELESYN	AT-821 8FX/SC
4	2	ESP-B (ETHERNET SERIAL PROVIDER), & PORT	EQUINOX	890380
5	1	UPS, 1000 VA	LIEBERT	DU1000MT-120B
6	3	WIC BOX, V/DMSDC CONNECTORS (SC)	PANOUT	08XF81G
7	AR	1" WIREWAY	PANOUT	
8				
9	1	POWER STRIP	LEVITON	A-1485-008-A8
10	1	SURGE SUPPRESSOR, POWER	TRANSISTOR	ACP 1000R2
11	9	SURGE SUPPRESSOR, COMMUNICATIONS	B & B ELECTRONICS	B&B 48BLDFC
12				
13	1	MC 1"x2" NAMEPLATE	RISUN	-
14				
15				
16				
17				
18				
19				
20				



WALL MOUNT 19" RACK



SECTION
SCALE: AS NOTED

DRAWING ISSUED	
_____ FOR REVIEW	_____ FOR BID
_____ FOR APPROVAL	_____ FOR CONSTRUCTION
_____ FOR REFERENCE	<input checked="" type="checkbox"/> FOR AS-BUILT
_____ FOR PERMIT REQUEST	

NO.	DATE	DESCRIPTION	BY	CHKD

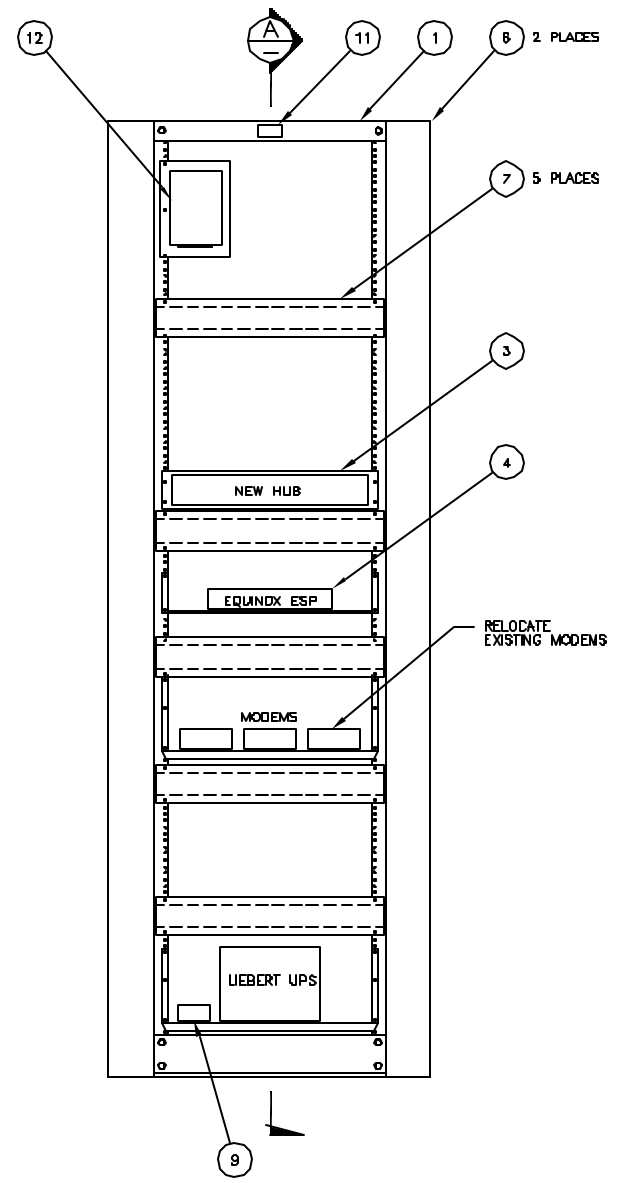
NO.	DATE	DESCRIPTION	BY	CHKD

Chevron
Pipe Line

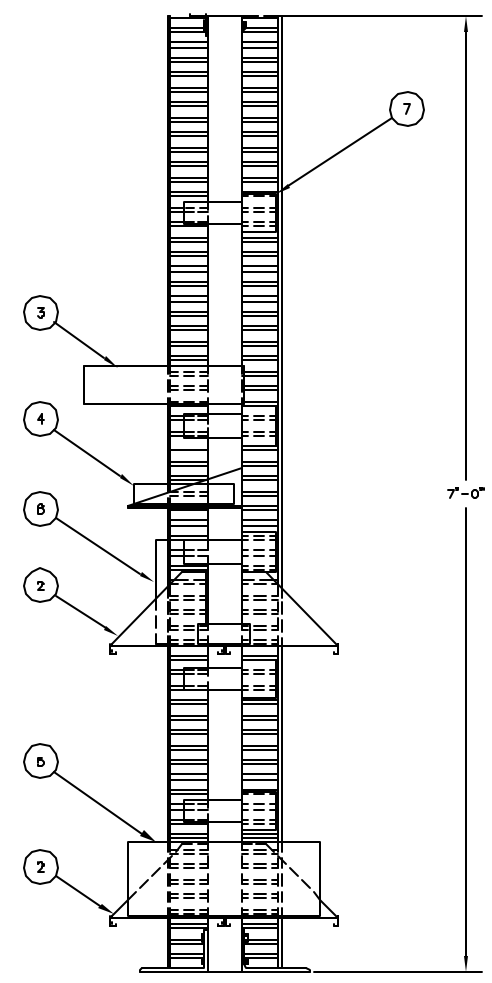
SCALE 1'-0"=1"
DR. JAF CH. VHE JR. APP. DATE 05/14/02 APPROVED
6/2002 DPR' G DEPT. ENGR. VHE

CABINET LAYOUT	
DOGHOUSE 1 MC CABINET LAYOUT	
POCATELLO	
TERMINAL MANAGEMENT SYSTEM UPGRADE PROJECT	
COST CODE	IDF038-J-01050
	1

A | B | C | D | E | F | G | H | I



FLOOR MOUNT RACK - 19"



SECTION A
SCALE: AS NOTED

BILL OF MATERIAL				
ITEM	QTY	DESCRIPTION	MANUFACTURER	MODEL NO.
1	1	19" STANDARD FRGK. UL LISTED, BLACK, FLOOR MOUNT	CHATSWORTH	55054-703
2	2	HEAVY DUTY EQUIPMENT SHELF FOR 3" CHANNEL, BLACK	CHATSWORTH	11104-710
3	1	ETHERNET SWITCH W/ AF-A17 MODULE	ALLIED TELESYN	AT-0224XL-5C
4	1	ESP-0 (ETHERNET SERIAL PROVIDER), & PORT	EQUINOX	090300
5	1	UPS, 1000 VA	LIEBERT	0471000NT-1200
6	2	PAN-WIRE, WIRE MANAGEMENT SYSTEM, VERTICAL	PANOUT	WMPV45
7	5	PAN-WIRE, WIRE MANAGEMENT SYSTEM, HORIZONTAL	PANOUT	NDM12
8	1	POWER STRIP	LEWTON	A-1490-006-AS
9	1	SURGE SUPPRESSOR, POWER	TRANSISTOR	AGP 1000R2
10	1	12VDC POWER SUPPLY (FOR GATE HOUSE)	CUJ/STACK OR DIGNEY	DPD120050-RSP/1500-PSR-ND
11	1	KC2 1"x2" NAMEPLATE	RELM	-
12	1	WC BOX		
13				
14				
15				

DRAWING ISSUED	
_____ FOR REVIEW	_____ FOR BID
_____ FOR APPROVAL	_____ FOR CONSTRUCTION
_____ FOR REFERENCE	X _____ FOR AS-BUILT
_____ FOR PERMIT REQUEST	

REFERENCE DRAWINGS	REVISIONS	DATE	BY	CHKD	APP'D	DATE	BY	CHKD	APP'D	COST CODE	PROJECT	SHEET
	AS-BUILT	10/10/2002	JRH	IRB	WHE						CABINET LAYOUT	1
	ISSUE FOR CONSTRUCTION	6/2002	GVH	IRB	WHE						PHONE ROOM RACK LAYOUT IC2	
											POCATELLO	
											TERMINAL MANAGEMENT SYSTEM UPGRADE PROJECT	
											IDF038-J-01051	

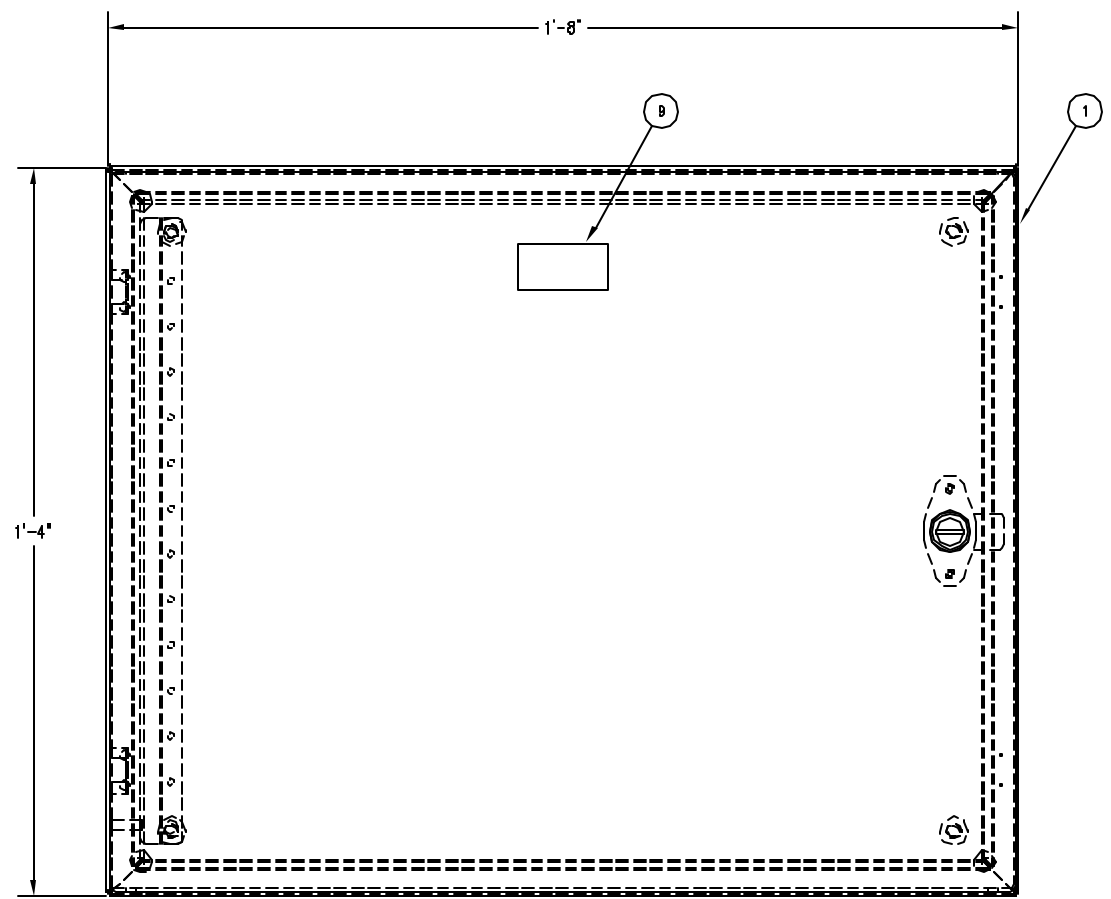


SCALE 1 1/2" = 1'-0" DATE 05/14/02 APPROVED
 DR. DAF CH. WHE DR. APP. ENGR. WHE
 DPR'G DEPT. ENG. DEPT.

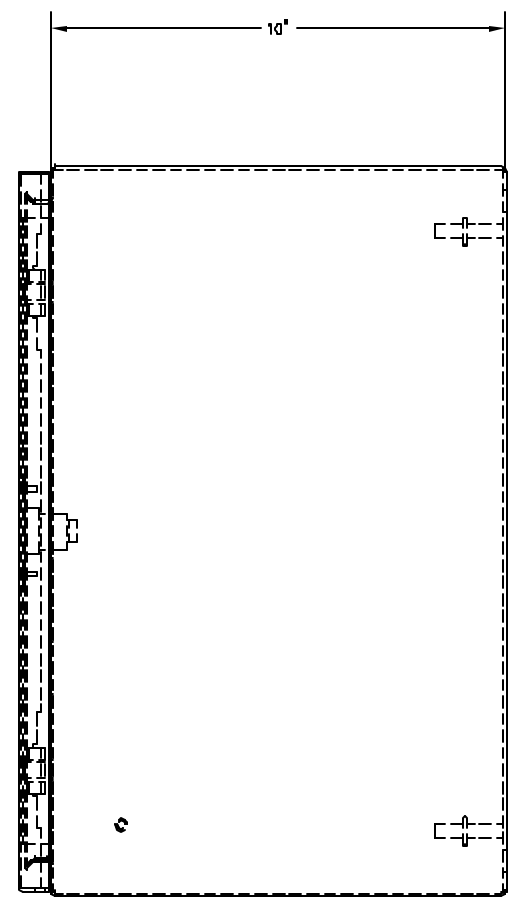
COST CODE IDF038-J-01051 1

A | B | C | D | E | F | G | H | I

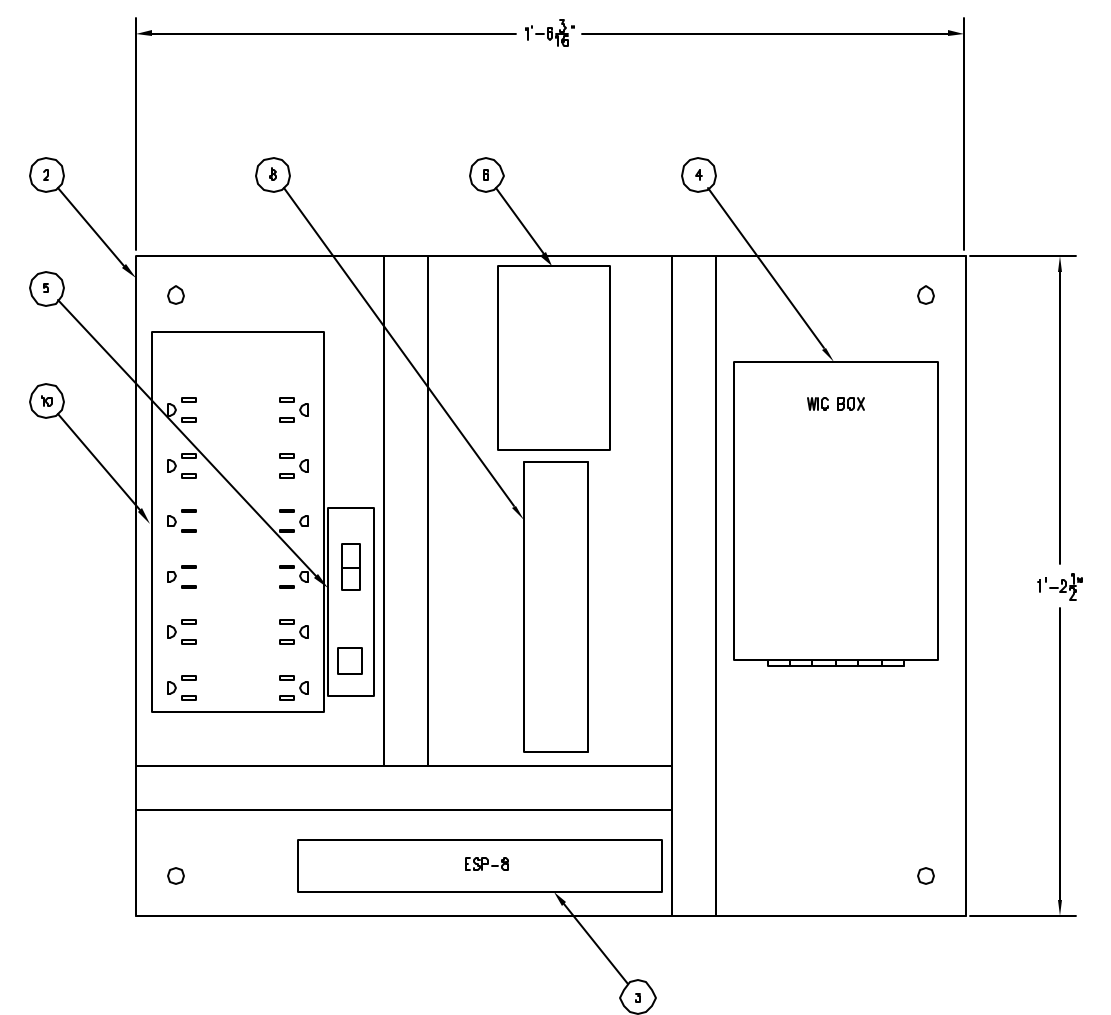
BILL OF MATERIAL				
ITEM	QTY	DESCRIPTION	MANUFACTURER	MODEL NO.
1	1	ENCLOSURE, 18"x20"x10", NEMA 12, GRAY	HOFFMAN	C-S02016 K0LG
2	1	BACKPANEL, 18.2" x 14.2", 14 GAUGE STEEL, WHITE	HOFFMAN	C-P2016
3	1	ESP-8 (ETHERNET SERIAL PROVIDER), 8 PORT	EQUINOX	990380
4	1	MULTI-MEDIA FIBER OUTLET W/ CHDSCIG MODULES (WC BOX)	PANDUIT	CBXF81G
5	1	MEDIA CONVERTER	ALLIED TELESYN	AT-M102XL-10
6	1	POWER SUPPLY		
7	2	END STOP	ENTRELEC	103 002.26
8	1	DIN RAIL, 35MM		
9	1	IC1 1"x2" NAMEPLATE	RSUN	-
10	1	POWER STRIP		
11	1	5 PORT ETHERNET HUB	ALLIED TELESYN	



FRONT VIEW



SIDE VIEW



BACK PANEL

DRAWING ISSUED	
_____ FOR REVIEW	_____ FOR BID
_____ FOR APPROVAL	_____ FOR CONSTRUCTION
_____ FOR REFERENCE	X _____ FOR AS-BUILT
_____ FOR PERMIT REQUEST	

REFERENCE DRAWINGS			
			△
			△

REVISIONS			
			△ AS-BUILT
			△ ISSUE FOR CONSTRUCTION

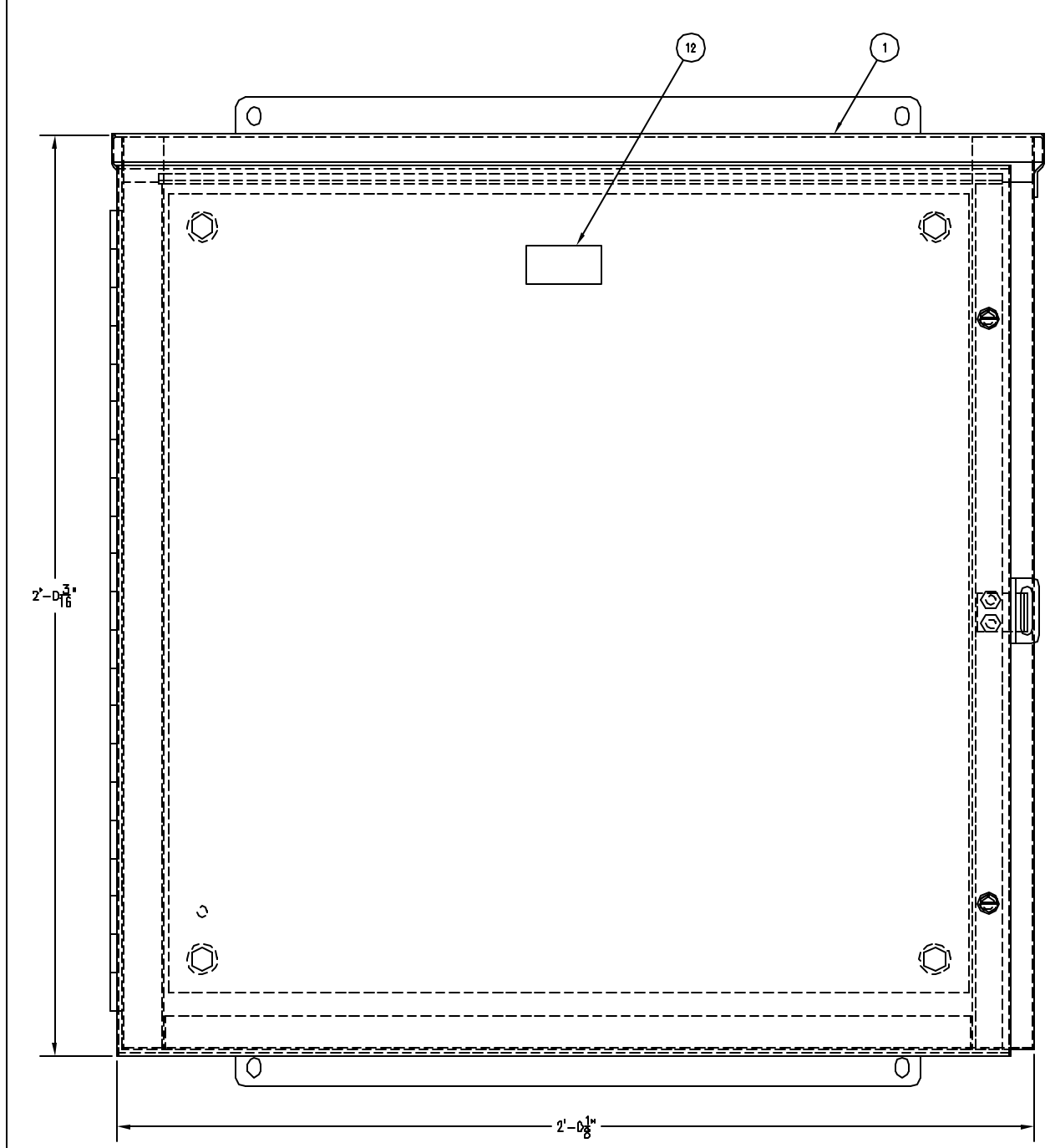


SCALE 6'-1'-0"
 DR. DAF CH. VHE DR. APP. VHE
 6/2002

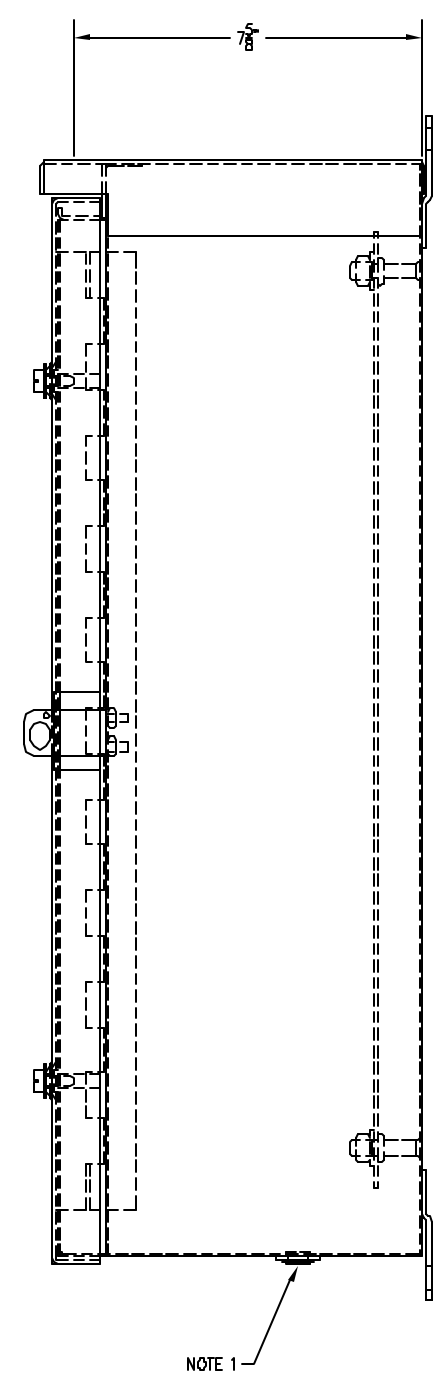
CABINET LAYOUT	
MCC BUILDING CABINET LAYOUT IC1	
POCATELLO	
TERMINAL MANAGEMENT SYSTEM UPGRADE PROJECT	
COST CODE	IDF038-J-01052
	1

A | B | C | D | E | F | G | H | I

BILL OF MATERIAL				
ITEM	QTY	DESCRIPTION	MANUFACTURER	MODEL NO.
1	1	ENCLOSURE, 24"x24"x8", NEMA 3R, GRAY	HOFFMAN	A-24F24HCR
2	1	BACKPANEL, 21"x 21", 14 GAUGE STEEL, WHITE	HOFFMAN	A-24F24
3	1	HEATER, 120VAC, 200 WATTS	HOFFMAN	D-AH2001A
4	1	ESP-8 (ETHERNET SERIAL PROVIDER), 8 PORT	EQUINOX	880380
5	1	MULTI-MEDIA FIBER OUTLET W/ CMOSDC MODULES (MC BOX)	PANDUIT	CMXF61G
6	1	MEDIA CONVERTER	ALLED TELESYN	AT-MC102XL-10
7	1	POWER STRIP		
8	8	OPTICAL ISOLATOR, DIN RAIL MOUNT, INDICATING, SURGE SUPPRESSION	B&B ELECTRONICS	48SLODC
9	4	END STOP	ENTRELEC	103 002.26
10	AR	DIN RAIL, JOINT		
11	1	POWER SUPPLY, 12VDC 0.8A	POWER ONE	HA15-0.8-A
12	1	PB5 IC3 1"x3" NAMEPLATE	RISUN	-

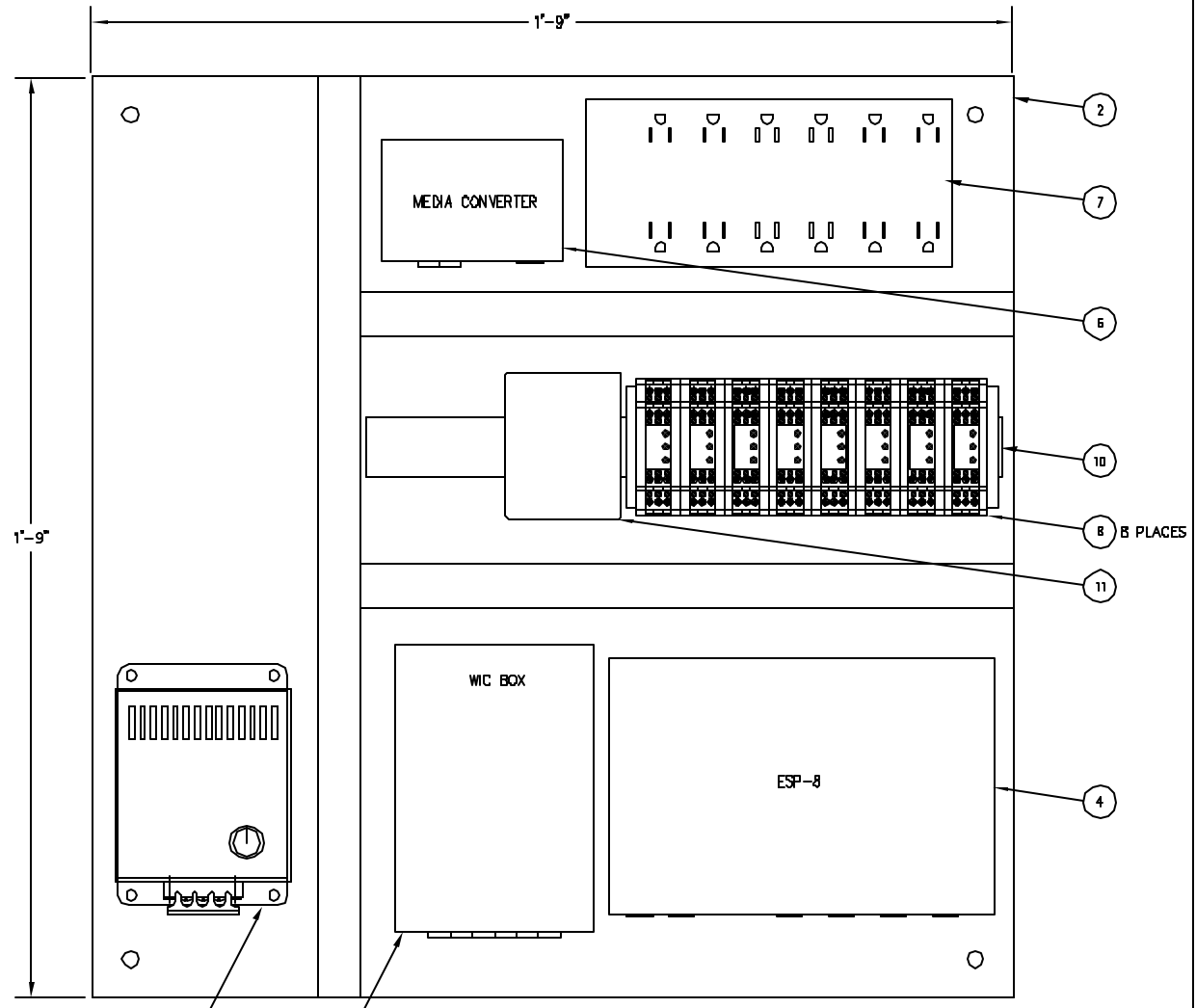


FRONT VIEW



NOTE 1

SIDE VIEW



BACK PANEL

NOTES:
 1. WEEP HOLE BY RISUN.
 2. USE 1" PANDUIT FOR GATHERING OF FIBER CABLES.

DRAWING ISSUED	
_____ FOR REVIEW	_____ FOR BID
_____ FOR APPROVAL	_____ FOR CONSTRUCTION
_____ FOR REFERENCE	X _____ FOR AS-BUILT
_____ FOR PERMIT REQUEST	

REFERENCE DRAWINGS			
			△
			△

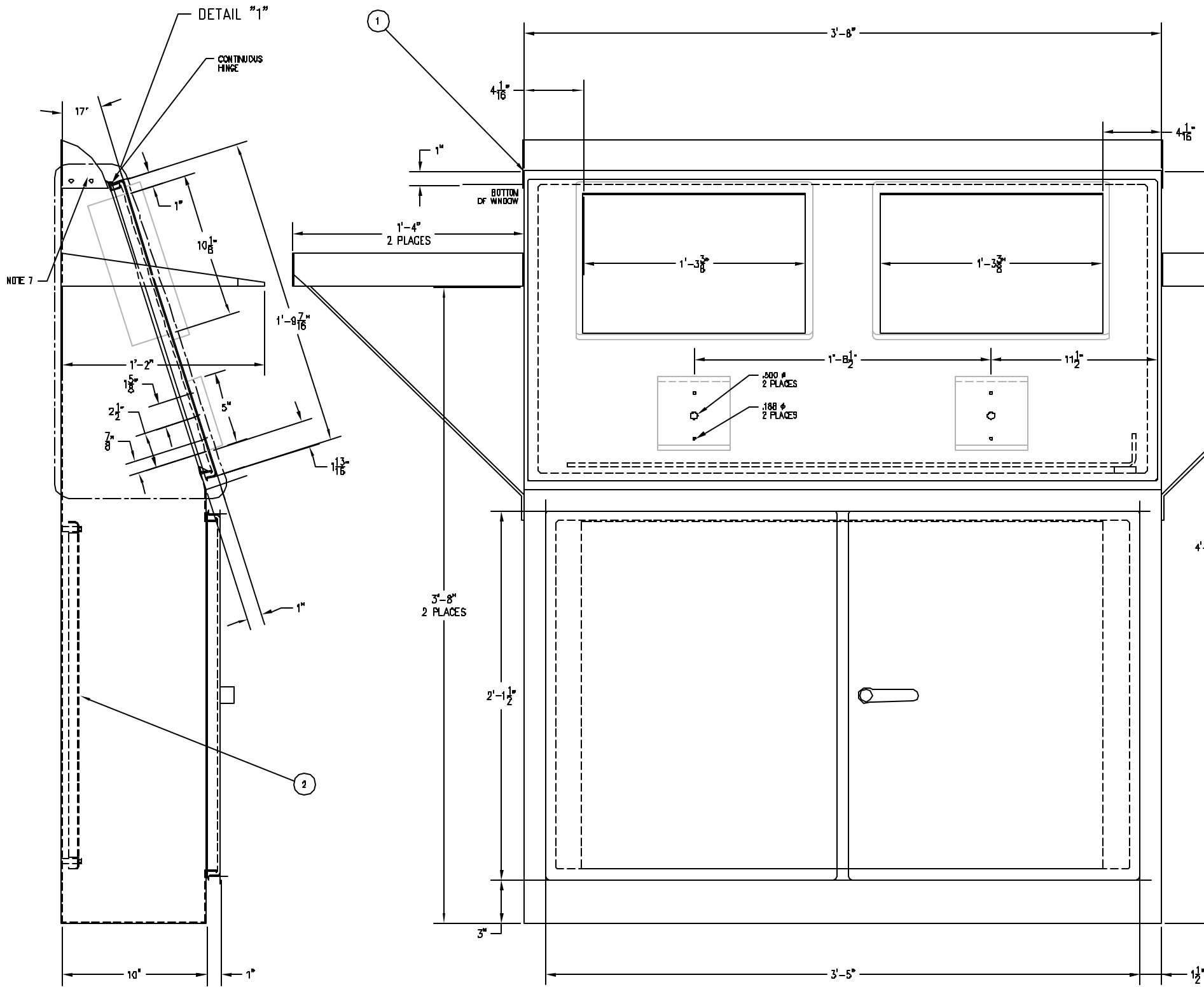
REVISIONS			
		AS-BUILT	JRH IRB MHE 10/10/2002
		ISSUE FOR CONSTRUCTION	GVH IRB MHE 6/2002

Chevron
Pipe Line

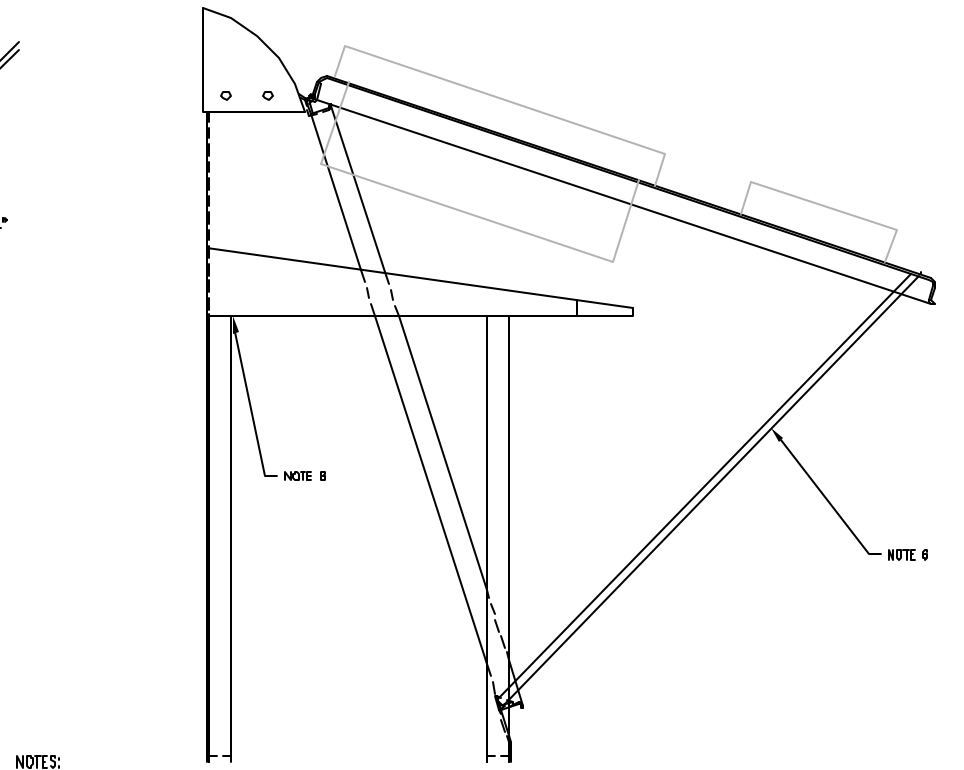
SCALE: 6'-1'-0"
 DR. JAF CH. VHE JR. APP. VHE
 DATE 06/10/02
 APR 06/10/02

CABINET LAYOUT	
PB5 CABINET LAYOUT IC3	
POCATELLO	
TERMINAL MANAGEMENT SYSTEM UPGRADE PROJECT	
COST CODE	IDF038-J-01053
	1

A | B | C | D | E | F | G | H | I



BILL OF MATERIAL				
ITEM	QTY	DESCRIPTION	MANUFACTURER	MODEL NO.
1	1	HMI ENCLOSURE, 52"x44"x8", GRAY	CONTRAFAB	
2	1	BACKPANEL, 36"x24", 14 GAUGE STEEL, WHITE	CONTRAFAB	
3				
4				
5				
6				
7				
8				
9				
10				
11				
12				
13				
14				
15				
16				
17				
18				
19				
20				



- NOTES:
1. NEMA 12 FREE STANDING ENCLOSURE.
 2. MANUFACTURE ENCLOSURE USING 14 GAUGE STEEL.
 3. PAINT ENCLOSURE USING ANSI 61 GRAY.
 4. BACKPANEL IS 24"x 36" WHITE.
 5. VERIFY DIMENSIONS OF HMI AND CARD READER BEFORE CUTTING OPENINGS.
 6. CONTRAFAB TO MAKE HOLDING ROD (PROP).
 7. CURVE TOP AS MUCH AS POSSIBLE TO PREVENT ITEMS FROM BEING PLACED ON IT.
 8. CONTRAFAB TO FABRICATE PERMANENT WRITING SURFACE ATTACHMENT. BRACE IF NEEDED.

DETAIL #1
SCALE: 4"=1'-0"

DRAWING ISSUED			
_____	FOR REVIEW	_____	FOR BID
_____	FOR APPROVAL	_____	FOR CONSTRUCTION
_____	FOR REFERENCE	X	FOR AS-BUILT
_____	FOR PERMIT REQUEST		

REFERENCE DRAWINGS			REVISIONS			
			AS-BUILT	JRH	IRB	WHE
						10/10/2002
			ISSUED FOR CONSTRUCTION	DAF	IRB	IRB
						06/11/02

Chevron
Pipe Line

SCALE: 6"=1'-0" DATE: 05/08/02 APPROVED: _____
 DR: DAF CH: WHE DR APP: _____ ENGR: WHE
 DPR'G DEPT. _____ ENG. DEPT. _____

CABINET LAYOUT		
HMI ENCLOSURE LAYOUT DOGHOUSE 1, 2 & 3		
POCATELLO		
TERMINAL MANAGEMENT SYSTEM UPGRADE PROJECT		
COST CODE	IDF038-J-01054	1